

TRUCK, LIGHT, MC2, LAND ROVER 110 6X6 - ALL TYPES

FITTING OF A WINDSCREEN WASHER NOZZLE GUARD

MISCELLANEOUS INSTRUCTION

This instruction is authorised for use by command of the Chief of Army. It provides direction, mandatory controls and procedures for the operation, maintenance and support of equipment. Personnel are to carry out any action required by this instruction in accordance with EMEI General A 001.

INTRODUCTION

1. This instruction details the procedure to fit a windscreen washer nozzle guard to Land Rover 6x6 variants except the Long Range Patrol Vehicle (LRPV). The nozzle guard is fitted as standard in production to the Land Rover 6x6 Project Bushranger variants. The nozzle guard reduces damage caused by troops standing on the washer nozzle when climbing over the windscreen.
2. **Associated Publications.** Reference may be necessary to the latest version of the following documents:
 - a. Technical Regulation of Army Materiel Manual (TRAMM) (available from DTR-A website <http://intranet.defence.gov.au/armyweb/Sites/DTRA>); and
 - b. Electronic Supply Chain Manual (ESCM) (ESCM website <http://defweb.cbr.defence.gov.au/home/documents/departmental/manuals/ESCM/index.htm>).

GENERAL

3. **Application.** This instruction is applicable to all Land Rover 110 6x6 variants except the LRPV. The decision to fit the guard to other vehicles is a unit one, depending on the perceived need. This is not a modification, and retrofit action is not required.
4. **Items Affected.** This instruction alters the windscreen washer nozzle and windscreen fascia.
5. **Action Required.** Actions detailed in this instruction are to be performed by technical maintenance organisations authorised to carry out Light, Medium or Heavy Grade Repairs by Army tradespeople, ECN 229 – Vehicle Mechanic or Tri-service/civilian equivalents.
6. **Estimated Work Hours.** For initial planning purposes only, it is estimated that this task will take 0.5 of a work hour to perform. Parts of this procedure will require two persons to complete.
7. **Stores Required.** The stores required are listed in Table 1. All stores are to be demanded through normal supply channels.

Table 1 Stores Required

Serial	NSN	Mfr Part No	Description	Unit Of Issue	Qty
1	5340-66-157-7170	HYG 6591	Guard, Windscreen Washer Nozzle	EA	1
2	5305-99-788-7262	AB610055L	Screw, Pan-head, Recessed	EA	3

DETAIL

8. Fit the windscreen washer guard as follows:
 - a. Position the windscreen washer guard (Table 1, Item 1) on the windscreen fascia, symmetrically about the washer nozzle, ensuring the top of the guard is above the top of the nozzle jets, as shown in Figure 1.
 - b. Test the windscreen washer to ensure the guard does not foul the jets. If the guard fouls the jets adjust the position of the guard slightly until it is clear of the jets.
 - c. Mark the position of the three screws.

UNCONTROLLED IF PRINTED

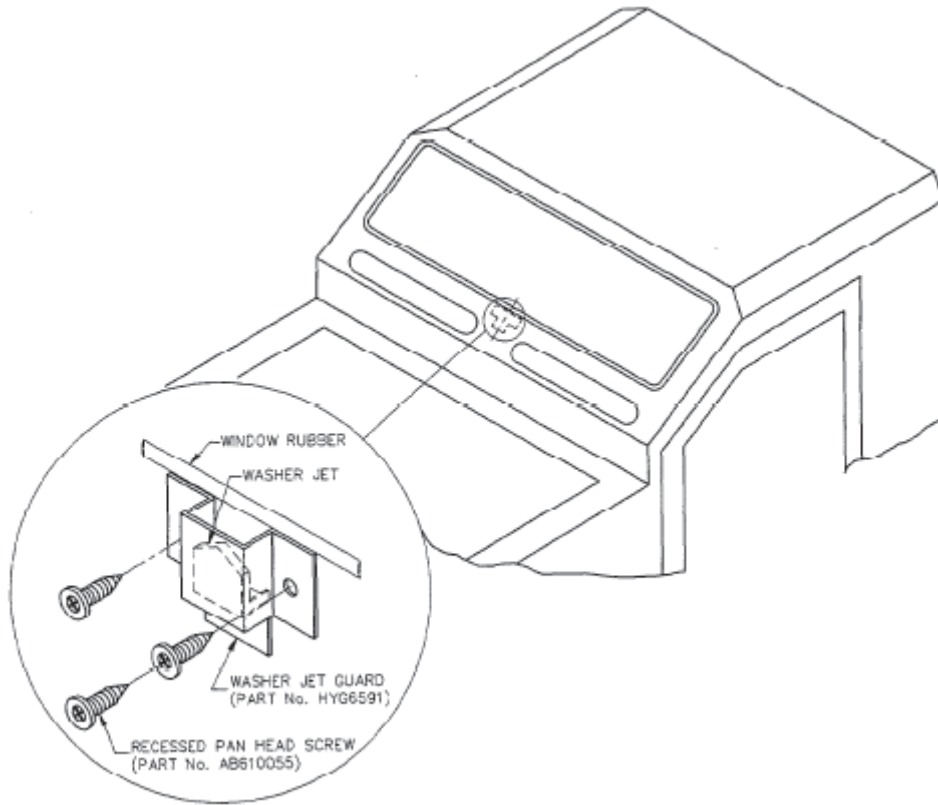


Figure 1 Installation of the Windscreen Nozzle Guard

- d. Remove the bracket from the facia.
 - e. Drill the three holes for the self-tapping screws (Table 1, Item 2).
 - f. Position the bracket over the securing holes.
 - g. Secure it with the three screws.
9. **Recording Action.** Record the fitting of the nozzle guard in Part 4 of the GM 120, Record Book for Service Equipment.

END

Distribution List: **VEH G 20.0 – Code 2** (Maint Level)
(Sponsor: LV SPO, Lt B Vehicles section)
(Authority: ECO LVSP0 073/08)