

TRUCK, AMBULANCE, LIGHT, 4 LITTER, FFR, WINCH, MC2 - LAND ROVER 110 6 X 6

REPLACEMENT OF THE AIR CONDITIONER COMPRESSOR MOUNTING BRACKET
TO ENGINE BLOCK MOUNTING BOLTS

MODIFICATION INSTRUCTION

This EMEI is authorised for issue by the CGS. It provides direction, mandatory controls and procedures for the operation, maintenance and support of equipment. Personnel are to obey the instructions and follow the procedures contained in this publication.

Introduction

1. This instruction details the replacement of the bolts used to mount the air conditioner compressor mounting bracket to the engine block. The new bolts are high tensile special bolts.

Note:

1. NSN/MPN and Designation used in this instruction were current at the date of issue. If twelve months or more have expired since issue, the NSN/MPN should be checked for supersession.

General

2. Estimated Modification Time. 1.00 hr (initial planning only).
3. Priority. Group 1. Vehicles are to be modified immediately on receipt of mounting bolts. Unmodified vehicles are authorised to continue in operation provided that the existing mounting bolts are inspected weekly, until the modification is completed, to ensure that they are intact.
4. Modification to be Applied to. All Truck, Ambulance, Light, 4 Litter, FFR, Winch - Land Rover 110 6 x 6, excluding ARNs 50597 and 50642.
5. Items Affected. Air Conditioner Compressor Bracket mounting bolts.
6. Action Required. By RAEME units authorised to carry out unit, field and base repairs IAW Log Comd EME Prog 10/92.

TABLE 1 - STORES REQUIRED TO COMPLETE THE MODIFICATION
(to be demanded through Moorebank Logistic Group)

Item	DSN/NSN	Designation	Qty per Equip
(a)	(b)	(c)	(d)
1.	2540-97-121-3016	Kit, Air Conditioner Mounting Bolts JRA No AYG0565 comprising items 1 and 2 in Table 2	1
2.		Loctite 242	As required
a.	8030-66-079-8891	10 ml bottle, or	
b.	8030-01-025-1692	20 ml bottle, or	
c.	8030-00-964-7537	50 ml bottle	

Notes:

1. Parts kits are provided by Landrover Australia at no expense to Army and are NOT to be procured locally. Kits are to be only ordered on the basis of one kit per vehicle and are NOT to be ordered for stock.
2. Loctite is not provided by Landrover Australia and is to be obtained on an as required basis.

TABLE 2 - COMPONENTS CONTAINED IN MODIFICATION KIT
(NOT to be indented for to complete modification)

Item	MPN/NSN	Designation	Qty per Equip
(a)	(b)	(c)	(d)
1.	MYH3679	Bolt, Metric, High Tensile 42 mm long	2
2.	MYH3678	Bolt, Metric, High Tensile, 30 mm long	1

TABLE 3 - ITEMS TO BE DISPOSED OF

Item	MPN/NSN	Designation	Qty per Equip
(a)	(b)	(c)	(d)
1.	5305-66-128-5289	Bolt, Metric, 40 mm long JRA No SH210401	2
2.	SH210301	Bolt, Metric, 30 mm long	1

Note:

1. All item numbers in paragraph 7 refer to the parts listed in Table 2.

UNCONTROLLED WHEN PRINTED

Detail

7. The modification is to be carried out as follows:

- a. Support the air conditioner compressor and remove any broken engine mounting bracket bolts.

Note:

- 1. The air conditioner hoses will not normally be required to be removed, however in the event that hose removal is necessary the instructions in EMEI ELEC T 009-1 are to be followed.
- b. Replace the two existing front bracket to engine mounting bolts (parallel to engine) with new bolts (item 1) after applying Loctite 242 to the threads, as shown in Fig 1.
- c. Replace the rear bracket to engine mounting bolt (90 degree to engine) with a new bolt (item 2) after applying Loctite 242 to the thread as shown in Fig 1.
- d. Torque the mounting bolts to 61 - 68 Nm.

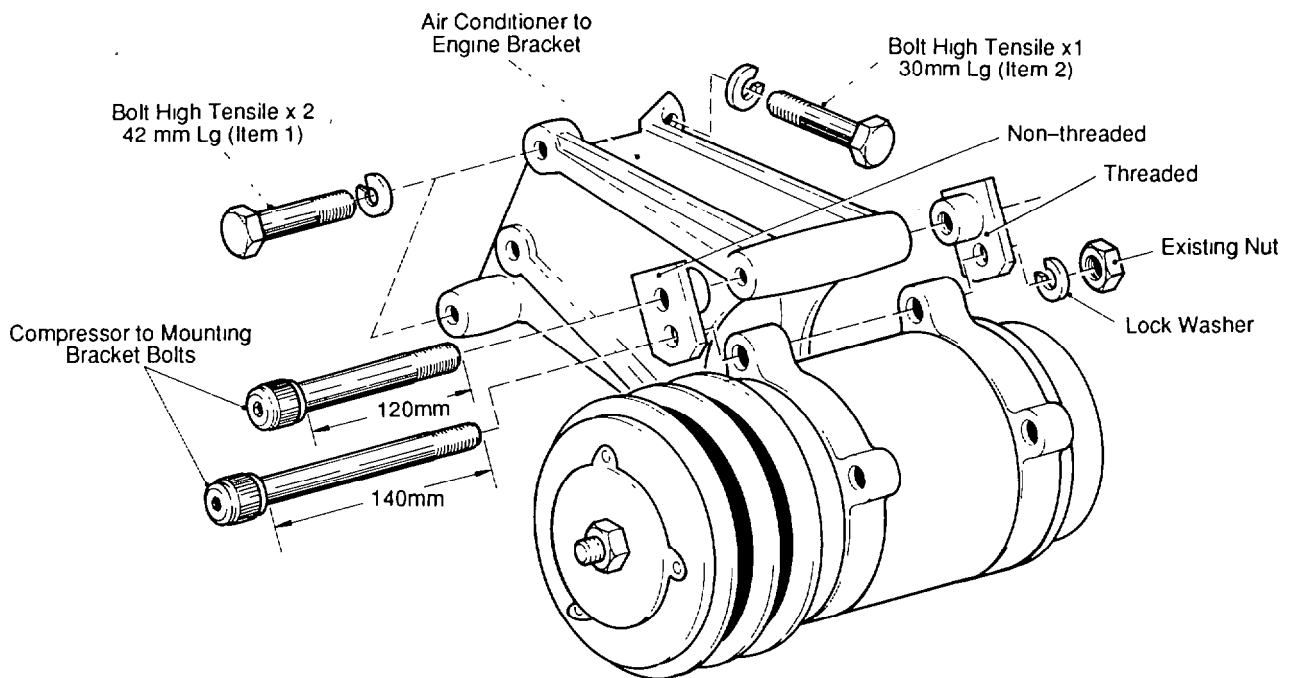


FIG 1 - AIR CONDITIONER MOUNTING BOLTS

8. Modification Record Plate. Deface the numeral 21 on the modification plate located on the driver's seat base.

9. Recording. Enter the details of the modification in Part 3 of the TGM 120, Record Book for Service Equipment, for the subject vehicles.

E N D