

TRUCK, CARGO, LIGHT, MC2 - LANDROVER 110 6 x 6  
TRUCK, CARGO, LIGHT, WINCH, MC2 - LANDROVER 110 6 x 6

FITTING OF TAILGATE UPPER REINFORCEMENT AND STEPS,  
TAILGATE BUFFERS, SEAT GRAB HANDLES AND LOWER TROOP FOOTSTEPS  
MODIFICATION INSTRUCTION

This EMEI is authorised for issue by the CGS. It provides direction, mandatory controls and procedures for the operation, maintenance and support of equipment. Personnel are to obey the instructions and follow the procedures contained in this publication.

Introduction

1. This instruction details the fitting of tailgate reinforcement and steps, rubber buffers, rear tray seat grab handles and lower troop footsteps, on Cargo variants only, to reduce damage to the tailgate and provide easier troop access.

Note:

1. NSN/MPN and Designation used in this instruction were current at the date of issue. If twelve months or more have expired since issue, the NSN/MPN should be checked for supersession.

General

2. Estimated Modification Time. 2.30 hr (initial planning only)
3. Priority. Group 2
4. Modification to be Applied to. Later variants have been modified in production and the modification is only to be applied to Truck, Cargo, Light and Truck, Cargo, Light, Winch - Landrover 110 6 x 6 up to an including ARN 200067.
5. Items Affected. Tailgate, rear chassis and rear seats.
6. Action Required. By RAEME units authorised to carry out unit, field and base repairs.

TABLE 1 - STORES REQUIRED TO COMPLETE THE MODIFICATION  
(To be demanded through Moorebank Logistic Group)

Item	DSN	Designation	Qty per Equip
(a)	(b)	(c)	(d)
1	2540-97-121-2975	Kit, Tailgate Reinforcement JRA No HYG6162 comprising items 1 to 21 in Table 2	1

Notes:

1. Parts kits are provided by Landrover Australia and are NOT to be procured locally. Kits are to be only ordered on the basis of one kit per vehicle and are NOT to be ordered for stock.
2. If components are deficient from parts kits on delivery then contact Mr Fenton, Landrover Australia, directly on (02) 6001333 to organise the forwarding of the necessary parts.
3. Some kits may contain additional round rubber buffers and self tapping screws which are no longer required and are to be disposed of.

TABLE 2 - COMPONENTS CONTAINED IN MODIFICATION KIT  
(NOT to be indented for to complete modification)

Item	MPN/NSN	Designation	Qty per Equip
(a)	(b)	(c)	(d)
1.	HYG4606	Grab Handle	2
2.	SE108351	Screw, Metric, 8mm dia, 35mm lg	4
3.	5310-99-139-0313	Nut, Metric, 8mm dia, JRA No NH108041	4
4.	5310-99-138-9227	Washer, Lock, 8mm dia, JRA No, WL108001	4
5.	5310-99-122-6475	Washer, Flat, 8mm dia, JRA No, WC108051	8
6.	BYG5212	Bracket, Chassis Pivot	2
7.	BYG5208	Footstep	2
8.	5305-66-098-4283	Bolt, 10mm dia, 30mm lg, JRA No SH110301	8
9.	5310-99-122-5497	Nut, Nyloc, 10mm dia, JRA No, NY110041	8
10.	5310-99-122-6476	Washer, 10mm dia, JRA No, WC110061	12
11.	5305-99-135-0435	Screw, Metric, 5mm dia, 40mm lg, JRA No, SE105401	9
12.	5310-99-122-3032	Washer, Flat, 5mm dia, JRA No, WC105001	32
13.	5310-99-122-5494	Nut, Nyloc, 5mm dia, JRA No, NY105041	16
14.	SE105451	Bolt, Metric, 5mm dia, 45mm lg	7
15.	HYG5412	Rail and Footstep Tailgate Upper	1
16.	5320-99-120-9002	Rivet, JRA No RU612373	16
17.	5330-66-128-5190	Rubber, Abutment, D shaped JRA No, HYG3114	2
18.	HYG3115	Clamp Strip, Abutment Rubber	2
19.	SE106401	Screw, Metric, 6mm dia, 40mm lg	4
20.	5310-99-122-3411	Washer, Flat, 6mm dia, JRA NO, WC106041	4
21.	5310-99-203-6405	Washer, Lock, 6mm dia, JRA No, WL106001	4

Note:

1. All item numbers in para 7 and Figures 1 to 3 refer to the parts listed in Table 2.

Detail

7. The modification is to be carried out as follows:

- a. Remove and reverse (front to rear) the seat covers on the rearmost half of the rear tray seats.
- b. Remove the rear tray seat rear support leg cotter pins and then remove the rear allen headed screws and nuts from the inner and outer seat planks on each seat (retain the screws).
- c. Fit the rear tray seat grab handle (item 1) using the existing mounting screws, as shown in Fig 1, and refit the tray seat support leg cotter pins.
- d. Drill an 8mm diameter hole through the seat plank, using the tray seat grab handle rear mounting lug as a guide, and fit the screws, nuts and washers (items 2, 3, 4 and 5) as shown in Fig 1.

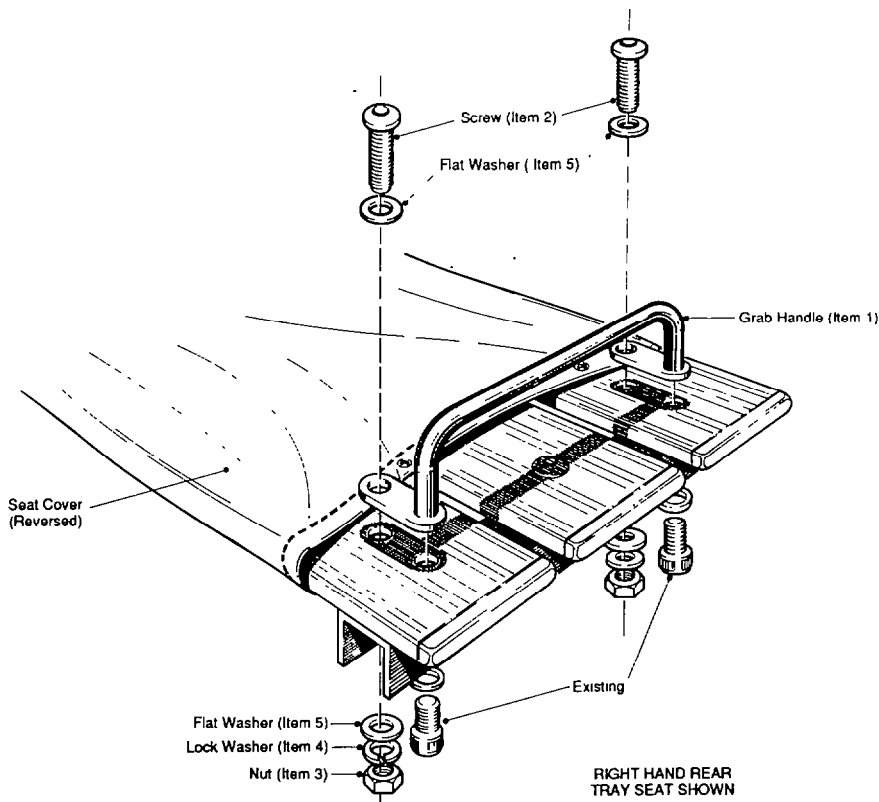


FIG 1 - REAR TRAY SET GRAB HANDLE FITMENT

- e. Fit the chassis pivot brackets (item 6) to the footsteps (item 7) using screws, nuts and washers (items 8, 9 and 10), as shown in Fig 2, and then fit the assemblies to the rear cross member, adjacent to the rear lights, using screws and nuts (items 8 and 9), as shown in Fig 2.

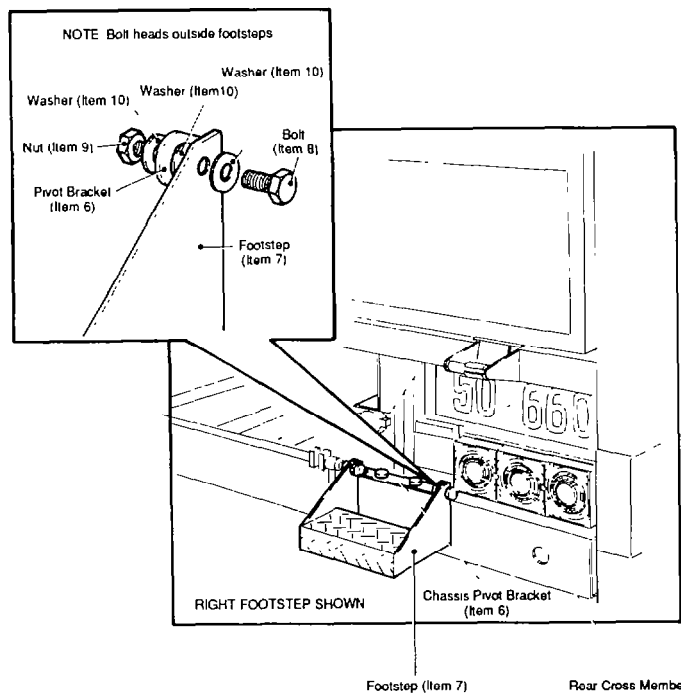


FIG 2 - REAR LOWER TROOP FOOTSTEP MOUNTING

- f. Remove the tailgate, drill out the rivets securing the lower rail and replace them with screws, nuts and washers (items 11, 12 and 13), as shown in Fig 3.
- g. Remove the rivets securing upper tailgate rail and the nuts securing the tailgate lock pins.
- h. Remove and discard the existing upper tailgate rail and fit the new rail and footstep assembly (item 15) using bolts, nuts and washers (items 12, 13 and 14) to secure the horizontal rail and rivets (item 16) to secure the vertical straps, as shown in Fig 3.
- i. Drill the tailgate, as shown in Fig 3, fit the vertical abutment rubbers (item 17) to the tailgate using the threaded clamp strips (item 18) and screws and washers (19, 20 and 21).

Notes:

- 1. Ensure that the upper part of the rubber is level with the top of the upper rail.
  - 2. The abutment rubbers are designed to contact the lower troop steps when the tailgate is lowered position when the vehicle is operated.
- j. Refit the tailgate to the vehicle.

8. Modification Record Plate. Deface the numeral 15 on the modification plate located on the drivers seat base including the vehicles modified in production.

9. Recording. Enter the details of the modification in Part 3 of the TGM 120, Record Book for Service Equipment, for the subject vehicles, including the vehicles modified in production.

UNCONTROLLED WHEN PRINTED

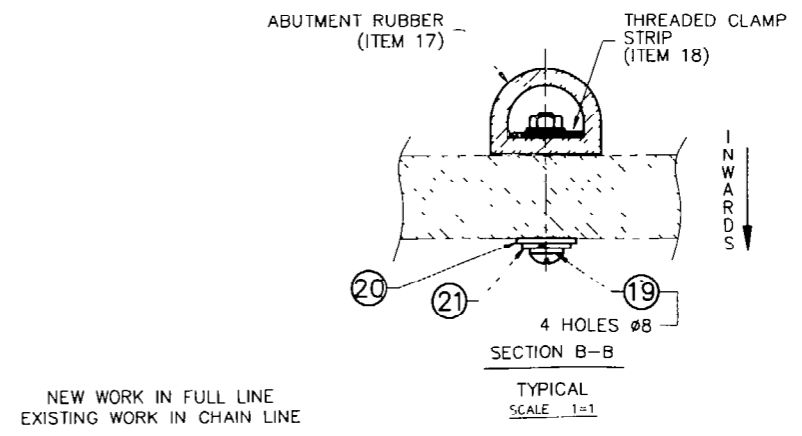
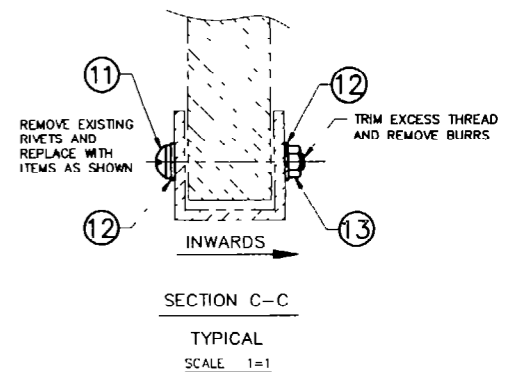
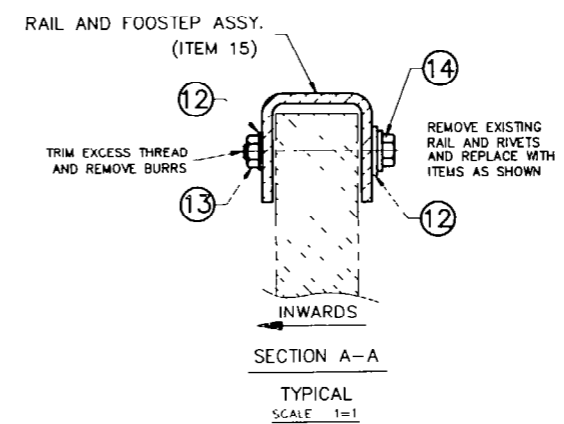
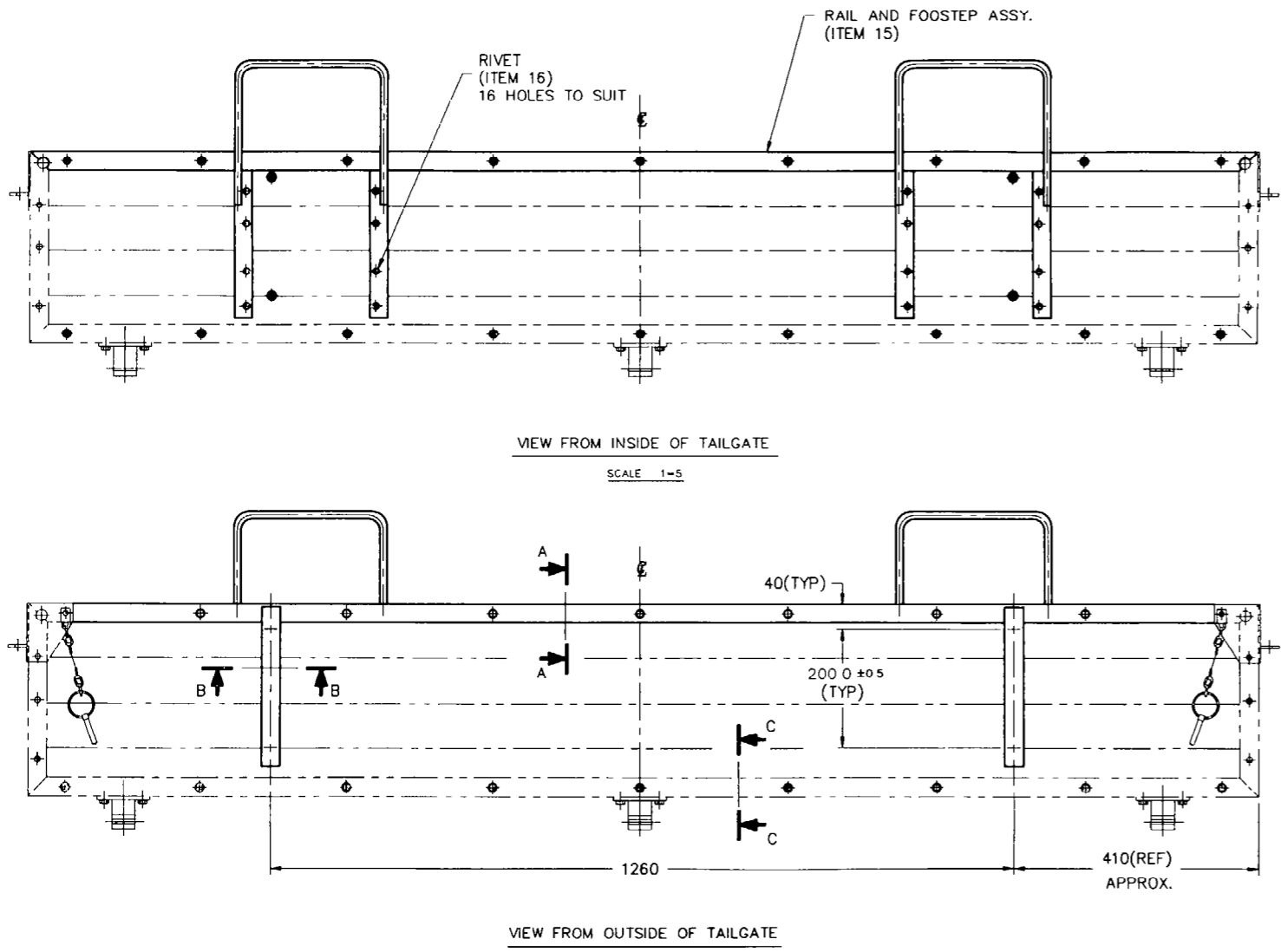


FIG 3 - TAILGATE MOD 6 x 6

E N D