

TRUCK, UTILITY, LIGHTWEIGHT, W/WINCH MC2 - LANDROVER 110
FITTING OF COUNTER SUNK SCREWS TO WINCH GUARD

MODIFICATION INSTRUCTION

Issue of this instruction is authorized by CONMEA

Introduction

1. This instruction details the replacement of the winch guard mounting bolts with counter sunk screws to prevent damage to the winch rope during its use.

Note:

1. NSN and Designation used in this instruction were current at the date of issue. If twelve months or more have expired since issue, the NSN should be checked for supersession.

General

2. Estimated Modification Time. 0.20 (initial planning only).
3. Priority. Group 2.
4. Modification to be Applied to. All variants of subject equipment fitted with winches.
5. Items Affected. Winch Guard fitted to Thomas 8000m winches.
6. Action Required. By RAEME units authorized to carry out unit, field or base repairs in accordance with WKSP A 850.

TABLE 1 - STORES REQUIRED (To be demanded through normal supply channels)

Item	NSN	Designation	Qty per Equip
1.	5305-66-128-5937	SCREW, SOCKET, ISOMETRIC, STEEL, COUNTERSUNK, 8mm BY 20mm LG (JRA PT NO SJ 108201).	2

TABLE 2 - STORES REMOVED (To be disposed of in accordance with GEN P series)

Item	NSN	Designation	Qty per Equip
1.	5305-99-122-5367	SCREW, MACHINE, ISOMETRIC, STEEL, HEX HD, 8mm BY 25mm LG.	2

Detail

7. The modification is to be carried out as described below:
 - a. Remove the two bolts securing the winch guard to the winch mounting bracket.
 - b. Countersunk winch guard mounting holes to dimensions shown at Fig.2.

UNCONTROLLED WHEN PRINTED

- c. Refit winch guard to winch mounting using Item 1 from Table 1 in conjunction with existing nuts and washers and tighten.
- d. Ensure head of countersunk screw is level with winch guard.

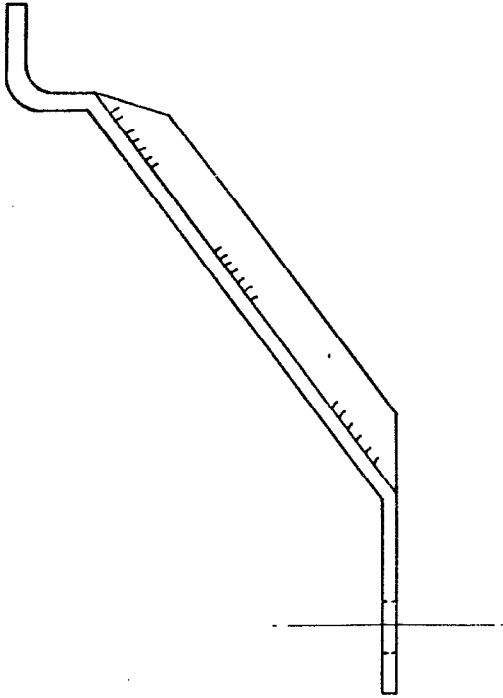


FIG 1 - EXISTING GUARD

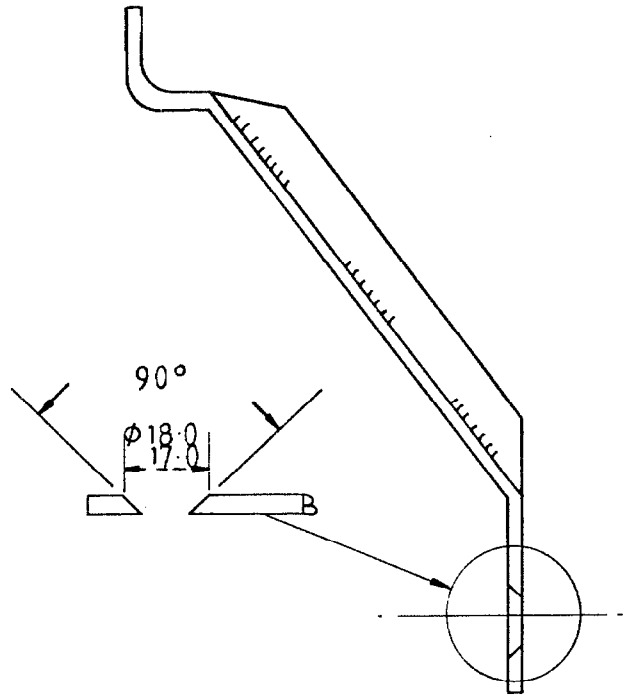


FIG 2 - MODIFIED GUARD

Modification Record Plate.

- 8. Deface the numeral 4 on the modification record plate located at the drivers seat base.

Recording.

- 9. Enter the details of the modification in the TGM 120 Record Book for Service Equipment of subject vehicle.

E N D

UNCONTROLLED WHEN PRINTED