

TRUCK UTILITY, LIGHTWEIGHT, MC2, - ALL TYPES, LAND ROVER 4X4
TRUCK CARGO, LIGHT, MC2 - ALL TYPES, LAND ROVER 6X6

MODIFICATION INSTRUCTION

FITTING OF EXTERNAL BONNET RELEASE

This EMEI is authorised for issue by the CGS. It provides direction, mandatory controls and procedures for the operation, maintenance and support of equipment. Personnel are to obey the instructions and follow the procedures contained in this publication.

Introduction

1. This instruction details the steps to be taken to fit an external bonnet opening device to all 110 Landrover variants.

Note:

1. NSN and Designation used in this instruction were current at the date of issue. If twelve months or more have expired since issue, the NSN should be checked for supersession.

General

2. Estimated Modification Time. 1.30 hrs (initial planning only).
3. Priority. Group 2.
4. Items Affected. Bonnet release cable and mechanism.
5. Modification to be Applied to. All subject vehicles.
6. Action Required. By RAEME units authorised to carry out unit, field or base repairs.

TABLE 1 - STORES REQUIRED to complete modification
(to be demanded through Moorebank Logistic Group)

Item	MPN/DSN	Designation	Qty per Equip
1.	1111-97-121-2987	Kit, Bonnet Opening mechanism, JRA NO HYG6038 comprising items 1-16 in Table 2.	1

TABLE 2 - STORES CONTAINED IN BONNET OPENING KIT
(not to be ordered separately to complete the modification)

Item	MPN/DSN	Designation	Qty per Equip
(a)	(b)	(c)	(d)
1.	5305-99-122-5362	SCREW, metric 6mm x 25mm SH106251	2
2.	5305-99-122-5360	SCREW, Metric 6mm x 12mm SH106161	2
3.	HYG6007	PIVOT, Plate	1
4.	5310-99-208-6458	WASHER, Lock WL106001	1
5.	5310-99-122-5298	Nut, Metric 6mm NH106041	2
6.	5310-66-098-4440	WASHER, Metric 6mm WA106041	6
7.	5310-99-139-5313	NUT, Lock 6mm NY106041	4
8.	HYG6213	BRACKET	1
9.	SH106601	SCREW, Metric 6mm x 35mm	1
10.	HYG6212	RELAY	1
11.	HYG4933	LINK	1
12.	PC 105121	CLEVIS, Pin Metric 5mm x 12mm	2
13.	PC 103101	SPLIT, Pin Metric 3mm x 10mm	2
14.	MYH 3604	STICKER, Directional	1
15.	RFN 0208	GROMMET	1
ITEMS LISTED BELOW ARE PACKAGED SEPARATELY FOR LRPV AND RFSV			
16a.	SF 103251	SCREW, Countersunk 3mm x 25mm	2
16b.	HYG6336	SPACER	2
16c.	5310-99-122-3030	WASHER, Metric 3mm WA 103001	2
16d.	NY 103041	NUT, Metric 3mm	2

TABLE 3 - STORES REMOVED
(To be disposed of in accordance with GEN P Series)

Item	MPN/DSN	Designation	Qty per Equip
(a)	(b)	(c)	(d)
1.	2540-99-741-6000	CONTROL ASSY, Push Pull	1
2.	5340-66-128-5372	STRAP, Retaining	1
3.	2590-99-825-6034	NIPPLE, Control Cable	1

UNCONTROLLED WHEN PRINTED

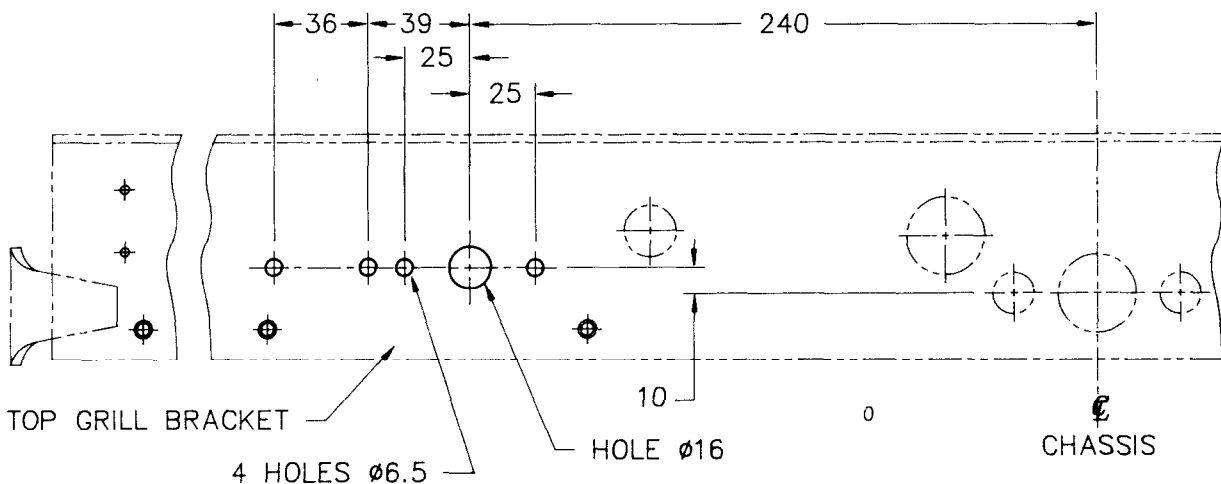
Detail

7. The modification is to be carried out as described below:

- a. Raise bonnet.
- b. Remove insect screen on Regional Force Surveillance Vehicle (RFSV) and Long Range Patrol Vehicle (LRPV).
- c. Remove plastic grille.
- d. Remove control cable nipple (Item 3 from Table 3) from bonnet lock mechanism.
- e. Remove control cable strap (Item 2 from Table 3) on right hand suspension tunnel.
- f. Remove control cable (Item 1 from Table 3) from drivers position.
- g. Remove right hand insect screen catch on RFSV and LRPV.
- h. Mark out top grille panel as shown in Fig 1 and drill holes.

Note:

- 1. Some late 4 x 4 may include holes, early vehicles may need to have all these holes added.



NEW WORK IN FULL LINE
EXISTING WORK IN CHAIN LINE

FIG 1 - TOP GRILLE PANEL

- i. All items listed below are from Table 2.
- j. Secure link (Item 11) to relay (Item 10) using Items 12 and 13 as shown in Fig 2.

UNCONTROLLED WHEN PRINTED

- k. Position relay below top grille panel and screw pivot plate (Item 3) downwards into relay through 16mm hole. A gap of approximately 15mm should be left between the top of pivot plate and relay, secure with Items 2, 6 and 7 as shown in Fig 2.

Notes:

1. Lubricate pivot plate thread with graphite powder or grease (XG 274).
2. Trial fit plastic grille to ensure no fowling occurs between lever and grille. If it fowls readjust lever to pivot plate.

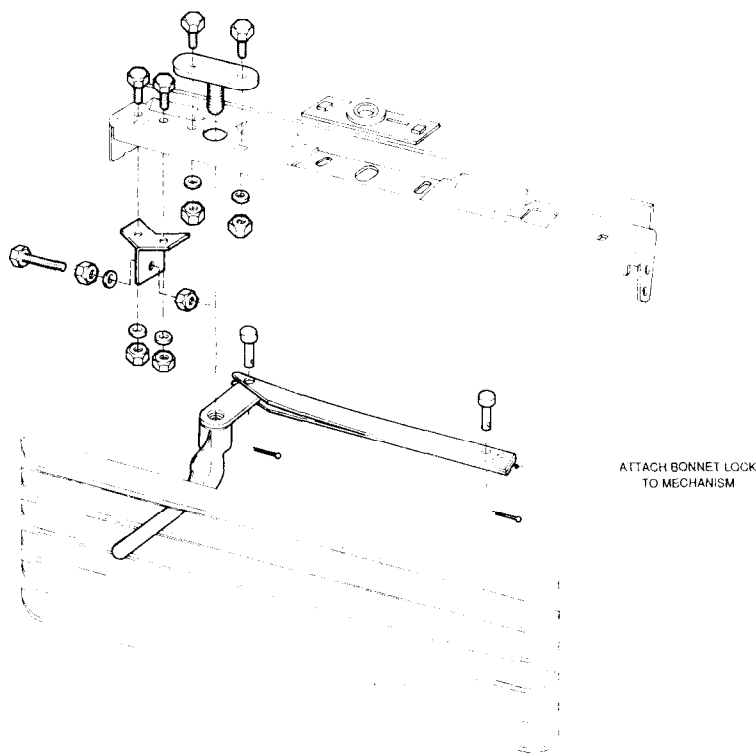


FIG 2 - EXTERNAL BONNET MECHANISM

1. Select one of three holes in the link and connect it to the bonnet catch using Items 12 and 13.

Notes:

1. When the bonnet catch slide plate is fully open the relay should be at an angle of approximately 85 degrees to the vehicle centreline.
 2. Refit the grille to its mounting position and check that when the relay is in the open position it does not fowl the vertical webs. If so then select an alternative hole in link.
- m. Assemble stop screw (Item 9) to anchor bracket (Item 8) using Items 4 and 5 as shown in Fig 2.
- n. Fit anchor bracket to under side of top grille panel as shown in Fig 2 using Items 1, 6 and 7.

- o. Adjust anchor screw in the closed position so that the bonnet lock slide plate travels 5mm as shown in Fig 3.

Notes:

1. Open and close bonnet several times to check operation.
2. At all stages ensure mechanism is free to slide without binding.

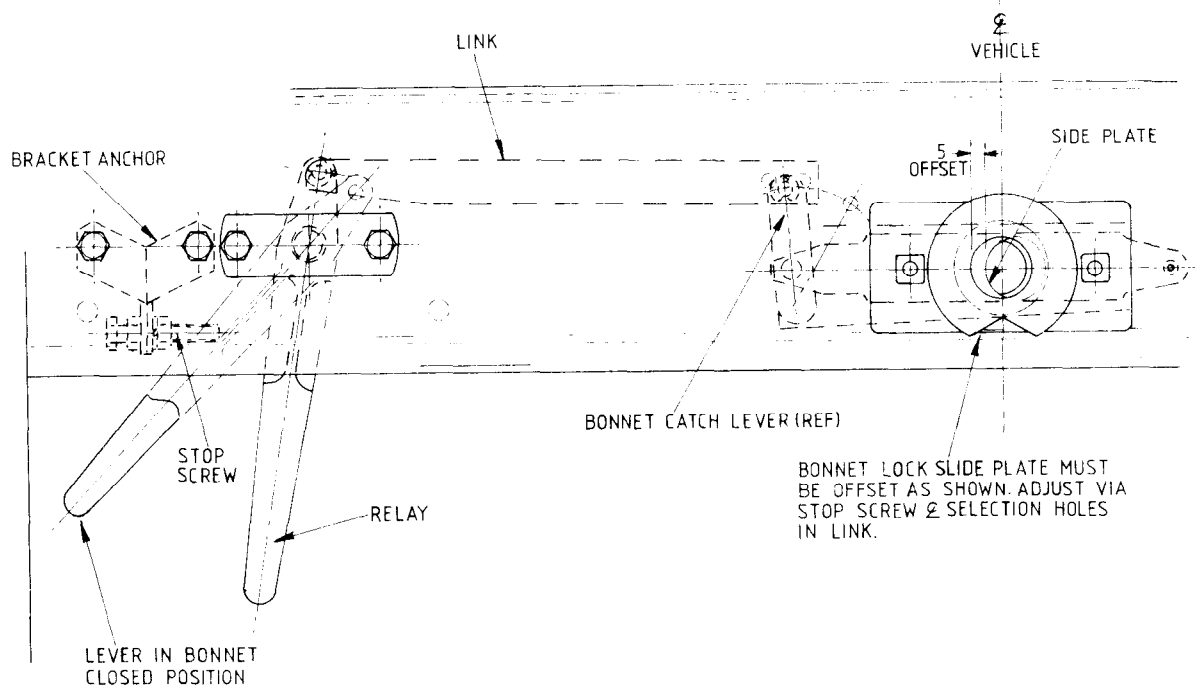


FIG 3 - BONNET LOCK SLIDE PLATE

- p. On RFSV and LRPV using a 3.5mm drill, drill through existing hole for insect screen catch through anchor plate bracket then fit insect screen catch using Items 16a through to 16d as shown in Fig 4.

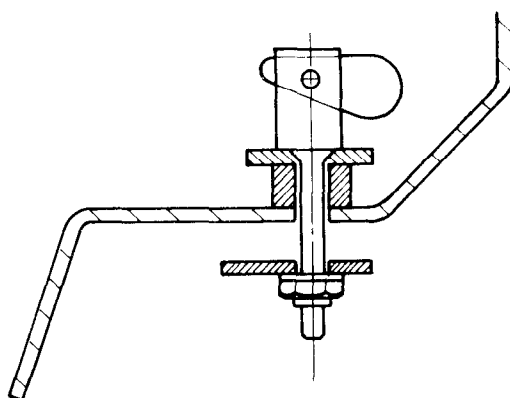


FIG 4 - INSECT SCREEN CATCH

- q. Rework insect screen on RFSV and LRPV as shown in Fig 5.

Notes:

1. Dimensions may vary between vehicles.
2. New insect screens complete with lever hole are available from JRA under the following part numbers:
 - a. 6x6 - HYG 6332
 - b. 4x4 - HYG 6333

MODEL	X	Y
4 x 4	42	80
6 x 6	45	170

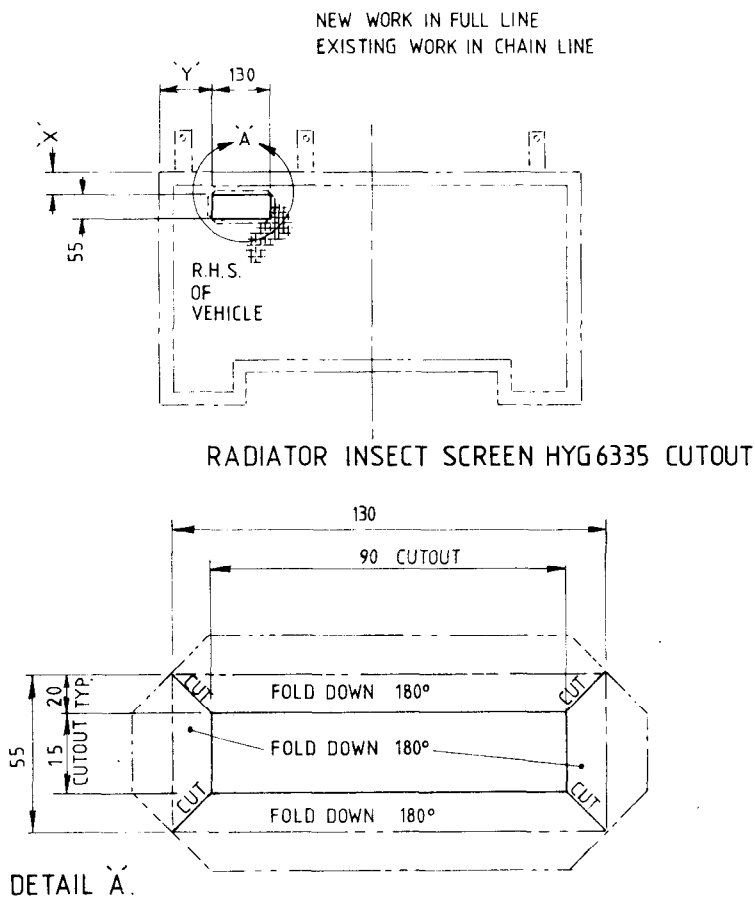


FIG 5 - INSECT SCREEN

- r. Fit blanking grommet (Item 15) to hole where cable passed through.
- s. Place direction sticker (Item 14) to top grille panel above handle, showing direction to release bonnet.
- t. Fit plastic grille to vehicle.
- u. Replace insect screen to RFSV and LRPV.

8. Modification Record Plate. Deface the numeral 21 on Truck Utility lightweight variants (4x4) and numeral 17 on Truck Light variants (6x6) modification record plates.

9. Recording. Enter the details of the modification in Part Three of the TGM 120, Record Book for Service Equipment, of the subject vehicles.

E N D