

TRUCK, LIGHTWEIGHT, MC2 LAND ROVER 110 - ALL TYPES
TRUCK, LIGHT, MC2 LAND ROVER 110 - ALL TYPES

FITTING OF MUDGUARD REINFORCEMENT PLATES

MODIFICATION INSTRUCTION

Issue of this instruction is authorized by CONMEA

Introduction

1. This instruction details the fitting of a reinforcement plates to the front mudguards to provide added strength and reduce denting of the guards.

Note:

1. NSN/MPN and Designation used in this instruction were current at the date of issue. If twelve months or more have expired since issue, the NSN/MPN should be checked for supersession.

General

2. Estimated Modification Time. 1.0 hr (initial planning only).
3. Priority. Group 2.
4. Modification to be Applied to. All subject vehicles.
5. Items Affected. Front mudguards.
6. Action Required. By RAEME units authorised to carry out unit, field and base repairs.

TABLE 1 - STORES REQUIRED (To be demanded through Moorebank Logistic Group)

Item	MPN/NSN	Designation	Qty per Equip
1.	2510-66-128-6064	KIT, WING REINFORCEMENT 4 x 4, COMPRISING ITEMS 3, 4 AND 6	1
2.	2510-66-128-6065	KIT, WING REINFORCEMENT 6 x 6, COMPRISING ITEMS 4, 5 AND 6	1
3.	HYG 3494	PLATE, WING, RH, 4 x 4	1
4.	HYG 3495	PLATE, WING, LH, 4 x 4 AND 6 x 6	1
5.	HYG 5787	PLATE, WING, RH, 6 x 6	1
6.	RJ612253	RIVET	15
7.	8030-66-061-8871	SEALING, COMPOUND, RUBBER, I50G TUBE	1

Detail

7. The modification is to be carried out as follows:
 - a. Remove any dents from the upper mudguard and patch paint.
 - b. Position the mudguard reinforcement plates with the non slip face upwards, as shown in Fig 1 for 4 x 4 variants and Fig 2 for 6 x 6 variants, then mark the position of the rivet holes and a outline of the plates on the guard.

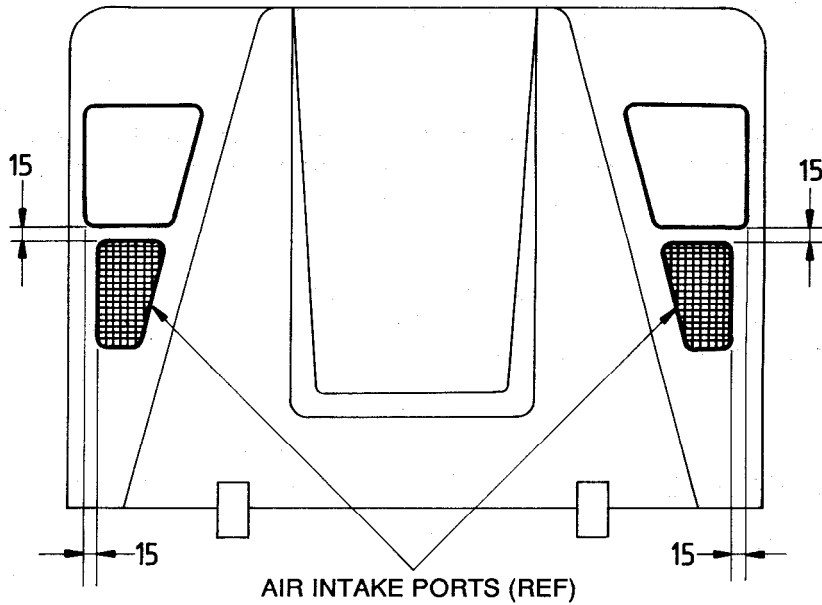


FIG 1 - MUDGUARD REINFORCEMENT PLATE MOUNTING 4 X 4 VARIANTS

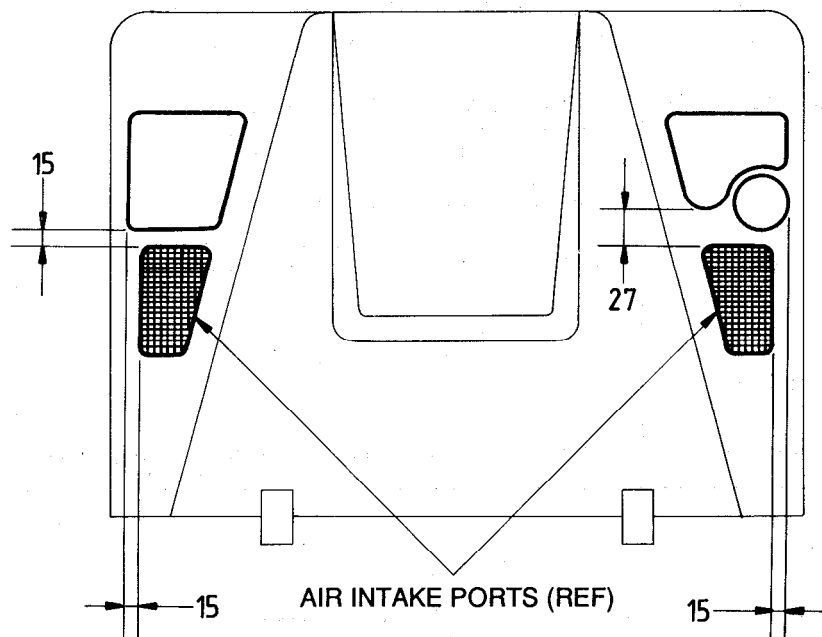


FIG 2 - MUDGUARD REINFORCEMENT PLATE MOUNTING 6 X 6 VARIANTS

- c. Drill the plate mounting holes and apply a continuous bead of sealant (item 7 from Table 1), approximately 12mm within the marked outline.

CAUTION:

1. When drilling the holes in the guards ensure that the drill does not penetrate the windscreen washer bottle, or, on 6 x 6 vehicles, the vacuum tank.

- d. Secure the reinforcement plates to the guards using the rivets (item 6 from Table 1).

- e. Clean any excess sealant from around the plates.

8. Modification Record Plate. Deface the numeral 14 on Lightweight variants and the numeral 6 on Light variants on the modification plate located on the drivers seat base, including those vehicles modified in production.

9. Recording. Enter the details of the modification in Part 3 of the TGM 120, Record Book for Service Equipment, for the subject vehicles, including those vehicles modified in production.

E N D

UNCONTROLLED WHEN PRINTED