

TRUCK HEAVY MC3 (MACK) ALL VARIANTS
EXCEPT BITUMEN DISTRIBUTOR

TOOL FOR REPLACEMENT OF FRONT AXLE OUTER YOKE SEAL

MISCELLANEOUS INSTRUCTION

Issue of this instruction is authorised by CONMEA.

Introduction

1. Replacement of the front outer yoke seal on the subject vehicle involves the removal of the front wheel and the dis-assembly of the steering drive end.

2. This instruction details the manufacture of a special tool to simplify seal replacement and save labour time.

Note:

1. NSN and Designation used in this instruction were current at the date of issue. If twelve months or more have expired since issue, the NSN should be checked for supersession.

TABLE 1 - STORES REQUIRED (To be demanded through normal supply channels)

Item	NSN	Designation	Qty per Equip
(a)	(b)	(c)	(d)
1.	5306-66-019-3794	Bolt, machine, UNF, 2A, SAE grade 5 steel, hex HD zinc coated 3/8 IN by 4 IN LG	1
2.	5310-66-016-8930	Washer, flat, RD, steel, zinc coated, 3/8 IN bolt size	2
3.	9515-66-095-8990	Sheet metal, carbon steel, hot rolled, grade HRC, 5mm THK by 900mm W by 2.4m LG	As Required
4.	NIC	Tube, metallic, steel, seamless, cold drawn, 124mm OD, 5mm wall THK	70mm
5.	NIC	External circlip to fit a 16mm shaft size	1
6.	5310-66-019-4166	Nut, plain, hexigan, UNF, 2B, steel formed, zinc coated 1 IN	1
7.	9515-66-118-3966	Metal plate, carbon steel, mild, 1.2m W, 2.4m LG by 10mm THK	As Required
8.	NIC	Bolt, machine, UNF, 2A, SAE grade 5 steel hex HD, zinc coated, 1 IN by 5 IN LG	1

Detail

3. The yoke puller and seal installer are to be manufactured as detailed in drawings at Fig 1 and 2.

UNCONTROLLED WHEN PRINTED

4. They are to be manufactured on an as required basis and are to be brought to charge as Articles Manufactured in Workshops (AMW's) in accordance with MEMA VOL 2 Chapter 25.

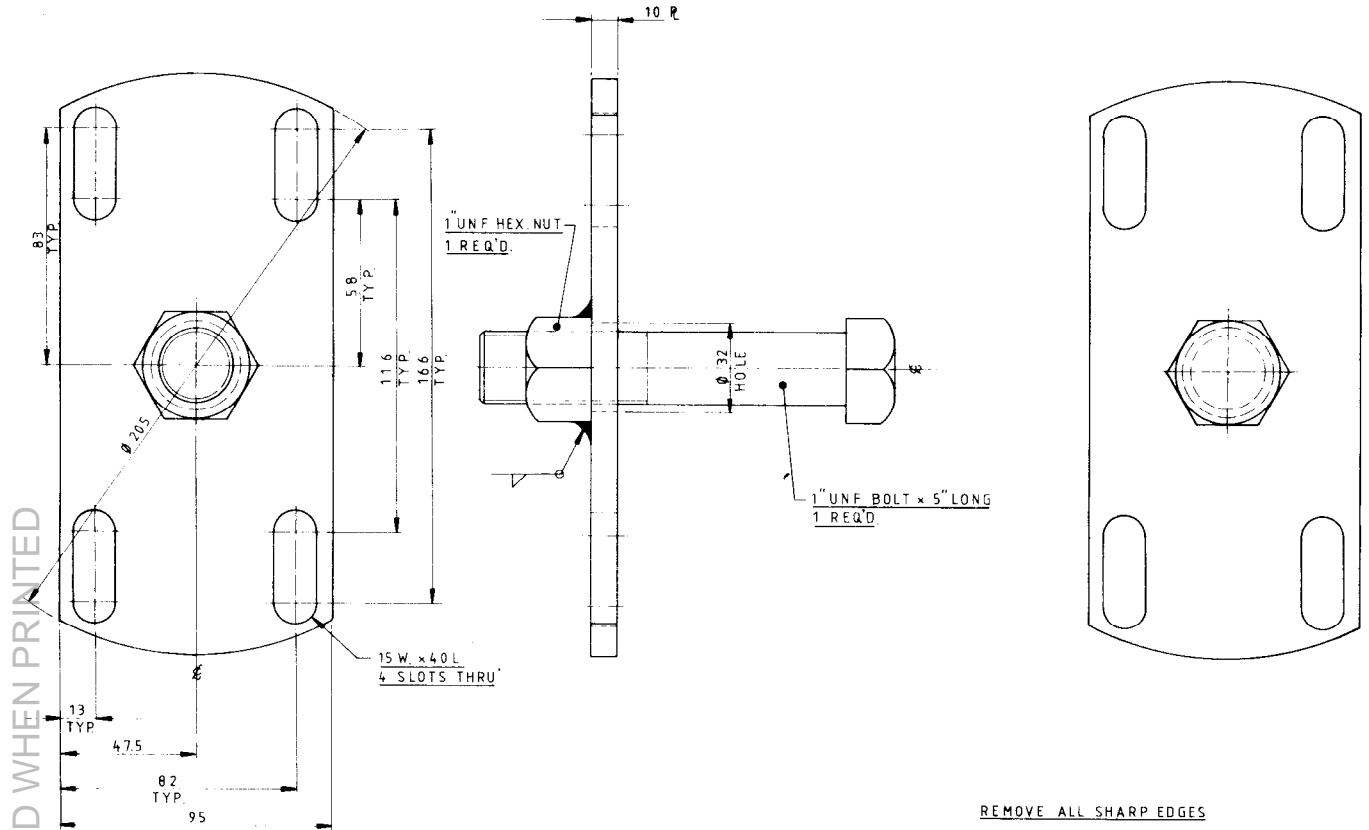


FIG 1 - YOKE PULLER

UNCONTROLLED WHEN PRINTED

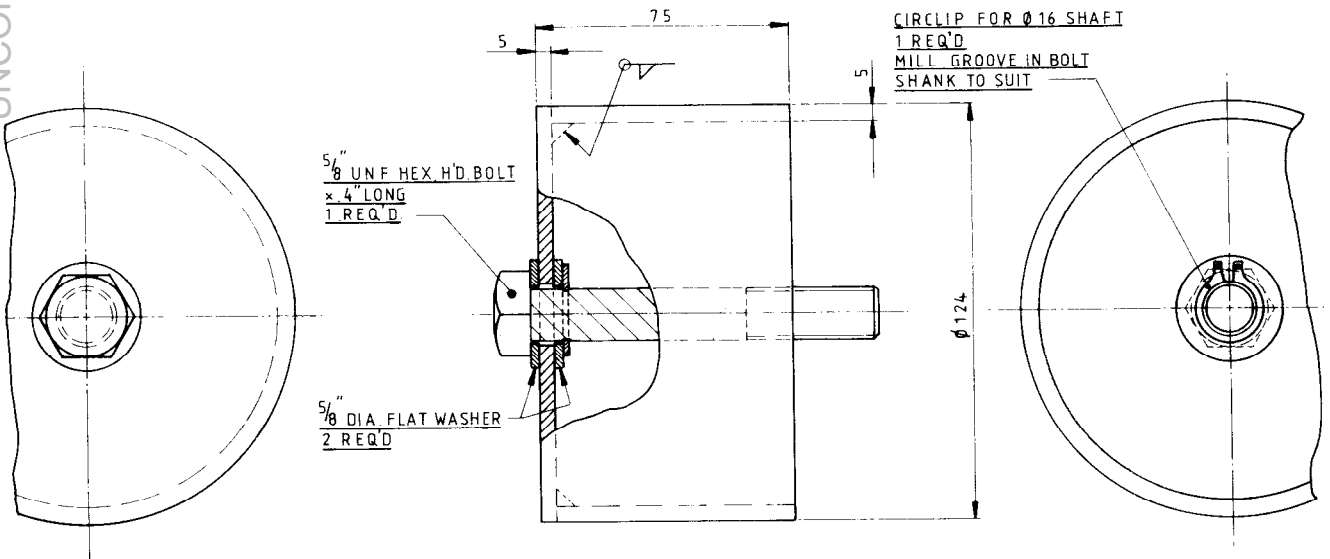


FIG 2 - YOKE SEAL INSTALLER

E N D