

## TRUCK, TRANSPORTER, FLOATING BRIDGE, MC3, W/WINCH, MACK, LAUNCH AND RECOVERY VEHICLE (LRV) NSN 2320-66-131-6653

### LRV ROOF RACK

## MODIFICATION INSTRUCTION

This instruction is authorised for use by command of the Chief of the General Staff. It provides direction, mandatory controls and procedures for the operation, maintenance and support of equipment. Personnel are to carry out any action required by this instruction in accordance with GENERAL A 001.

### Introduction

1. EMEI Vehicle G 787-1 detailed the fitting of a roof rack and amber flashing light to the LRV. This instruction details a minor modification to the roof rack to stop interference between it and the winch rope.
2. **Associated Publications.** Reference may be necessary to the latest issue of the following documents:
  - a. EMEI Workshop A 850 - Modifications, Trial Modifications and Local Modifications to Equipment;
  - b. EMEI Workshop A 851 - Recording Modifications to Equipment - Use of Modification Record Plates and Documentary Requirements;
  - c. Engineering Change Order (ECO) No AEM 5011; and
  - d. EMEI Vehicle G 787-1 - Fitting of Roof Rack.
3. **Authority.** ECO No AEM 5011 is the authority to carry out this modification.

### General

4. **Modification Application.** This modification is to be applied to all LRV.
5. **Items Affected.** This modification alters the roof rack assembly.
6. **Priority - Group 2.** All applicable equipment is to be modified:
  - a. when next in a workshop for medium or heavy repair, or
  - b. prior to issue from depot or pool stock.

### NOTE

Where modification would delay priority issues of depot or pool stock, equipment may be issued unmodified providing the equipment record book is endorsed appropriately.

7. **Action Required.** Actions detailed in this instruction are to be performed by RAEME workshops authorised to carry out medium or heavy repair.

### NOTE

On receipt of this instruction, enter all relevant information other than date completed in the modifications section of the Record Book for Service Equipment (GM 120).

8. **Estimated Manhours.** For initial planning purposes only, it is estimated that this modification will take three manhours to perform.
9. **Stores Required.** The stores required are listed in Table 1. All stores are to be demanded through normal supply channels.

### Detail

10. The procedure to carry out the modification to the roof rack is as follows:
  - a. Remove the existing amber light assembly off the roof rack.
  - b. Remove roof rack off cab.
  - c. Modify roof rack as detailed in Figures 1 and 2, using Items 1 and 2 from Table 1, by cutting out a section and welding in the framework to support the mesh.

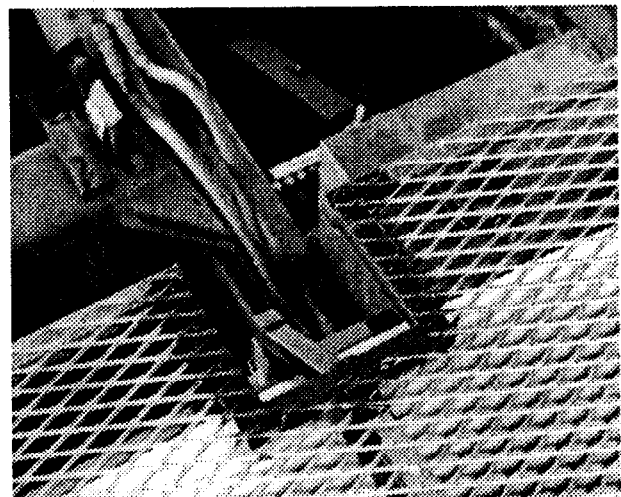


Figure 1 - Photograph of Cut-Out in Roof Rack

- d. Grit blast the whole roof rack and paint using a suitable zinc rich primer, undercoat and olive drab top coat, in accordance with Workshop D 700. Clean rust off top of cab and repaint in accordance with Workshop D 700.
- e. Refit roof rack to cab.
- f. Refit amber light assembly to roof rack.

- c. Forward the modification completion details to:

National Fleet Manager  
Engineer/Workshop Equipment  
Materiel Management Agency  
GPO Box 840 J  
MELBOURNE VIC 3001

11. **Recording Action.** On completion of the modification, the following action is to be taken:

- a. Deface the number 6 on the modification record plate, located on the angled kick plate under the hydraulic central levers on the LRV operator's central platform.
- b. Complete the modification details in the Record Book for Service Equipment (GM 120).

- d. The return should include the following information:

- (1) Modification No: EMEI Vehicle G 787-6
- (2) Unit: (eg 1 BASB)
- (3) ARN:
- (4) Completion Date:

Table 1 - Stores Required

Item	NSN	Mfr Part No	Designation or Description	Unit of Issue	Qty per Kit	Qty per Equip
1	NIC		Tube, Steel, Mild, Square Hollow Section, 25 mm x 25 mm x 3 mm Wall Thickness	1 metre lengths		700 mm
2	NIC		Flat, Steel, Mild, 25 mm x 3 mm Thick	1 metre lengths		150 mm

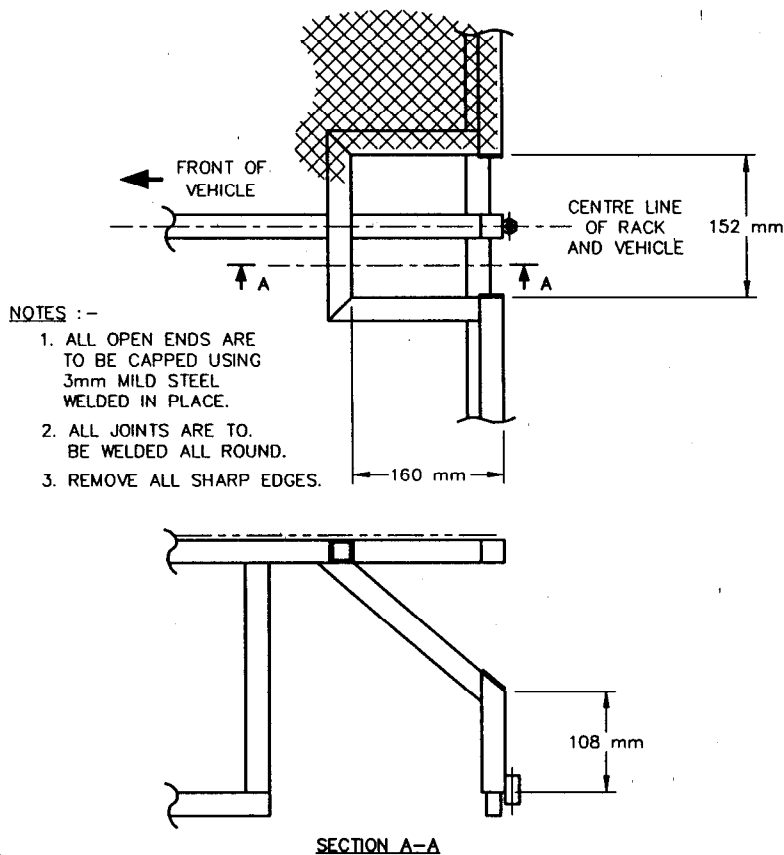


Figure 2 - Detail of Modification to Roof Rack

END

List VEH G 59.0 - Code 2 (MEA 930025)

UNCONTROLLED WHEN PRINTED