

TRUCK, CARGO, WITH CRANE, HEAVY, MC3 (MACK)  
PASSENGERS GRAB HANDLE

MODIFICATION INSTRUCTION

Issue of this instruction is authorized by CONMEA

Reference: A. EMEI VEHICLE G 709-1

Introduction

1. This instruction details the fitting of a grab handle to the cab interior above the passenger door for use in rough riding conditions.

Note:

1. NSN and Designation used in this instruction were current at the date of issue. If twelve months or more have expired since issue, the NSN should be checked for supersession.

General

2. Estimated Manhours to Perform. 1.0 (initial planning only).
3. Priority. Group 2.
4. Modification to be Applied to. Trucks listed as Serials 1 to 49 in Table 3 of Reference A.
5. Items Affected. Cab panel above the passenger door.
6. Action Required. By RAEME units authorized to carry out unit, field and base repairs in accordance with WKSP A 850.

TABLE 1 - STORES REQUIRED (To be demanded through normal supply channels)

Item	Depot Stock No	Designation	Qty per Equip
		KIT MODIFICATION, GRAB HANDLE, COMPRISING:	
1.	5340-97-111-4711	GRAB HANDLE (MACK PART NO 2QM140)	1
2.	5305-97-111-4712	SCREW (MACK PART NO 130AX882)	4
3.	5136-97-111-4713	TAP RIVET (MACK PART NO X60RU27)	4
4.	5330-97-111-4717	GASKET (MACK PART NO 120MF153)	2

7. Stores to be Removed. Nil.

UNCONTROLLED WHEN PRINTED

Detail

8. To carry out the modification, proceed as follows:
  - a. Hold the grab handle, item 1 from Table 1, in the position shown in Fig 1 and mark out the hole centres.
  - b. Lightly centre pop the hole centres and drill four holes  $23/64$  inch in diameter.
  - c. Using the tool shown in Fig 2, fit the tap rivets, item 3 from Table 1.

Note:

1. Tap rivets and the associated fitting tool are not in-service items. As their use is becoming common in industry and the soldier tradesman will come across them on Mack and other vehicles, a simple tool and the method of using it is illustrated in Figs 2 and 3.
- d. Using gasket, item 4 and screws item 2 from Table 1, secure the grab handle in position.

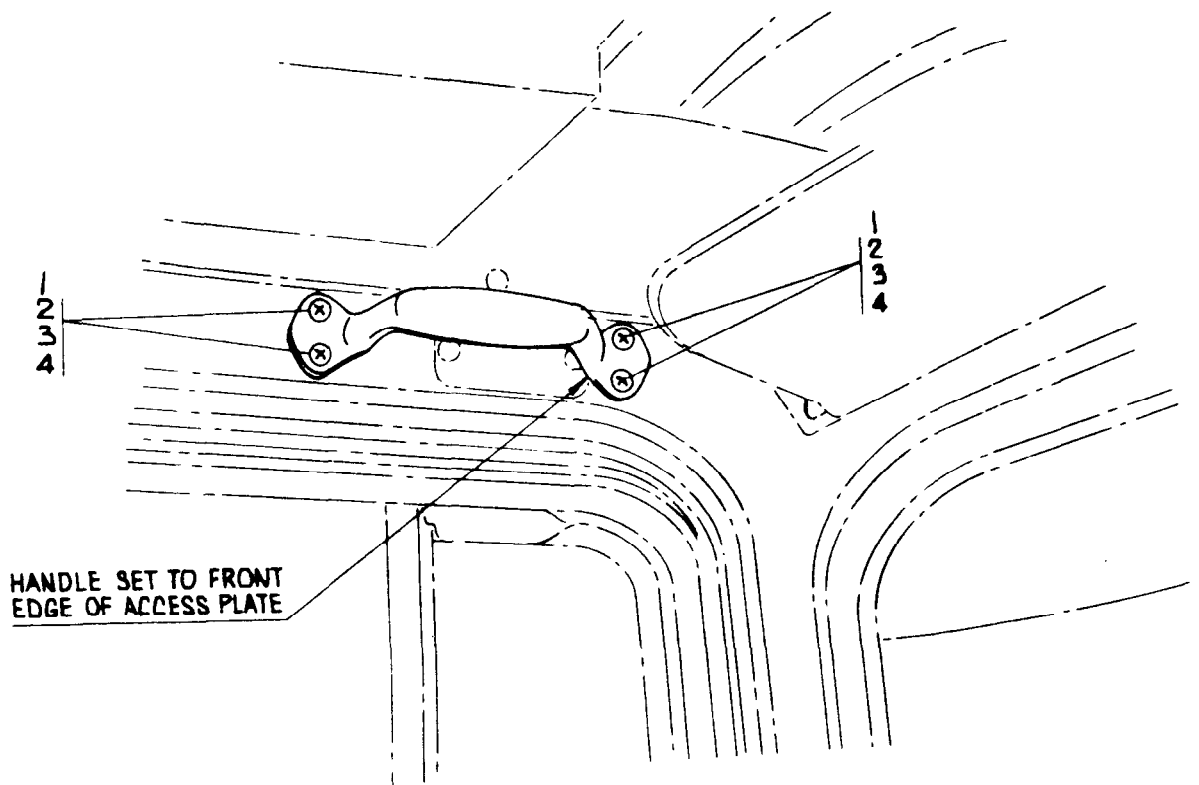


FIG 1 - POSITION OF GRAB HANDLE

Modification Record Plate

9. Deface the numeral 5 on the modification record plate mounted on the spare wheel carrier arm, adjacent to the operator's warning decal plate.

Tool, Tap Rivet Inserting

10. Referring to Fig 2, manufacture a tool for inserting tap rivets.

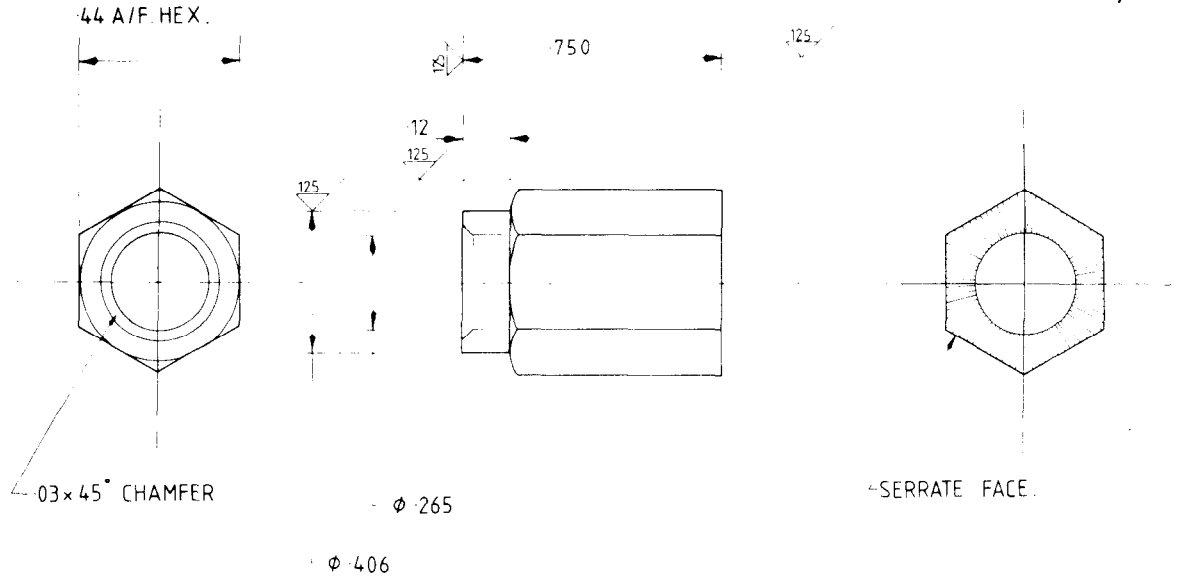


FIG 2 - TOOL FOR INSERTING TAP RIVETS

11. To use the tool, assemble it to the tap rivet as shown in Fig 3A, together with a 1/4 inch - 28 UNF Hex Hd Bolt and insert the assembled items into the prepared hole (see sub-paragraph 8 b.). With the rivet flange held firmly against the panel, hold the hexagon spacer with a spanner and tighten the bolt. The completed rivet formation is shown in Fig 3.

UNCONTROLLED WHEN PRINTED

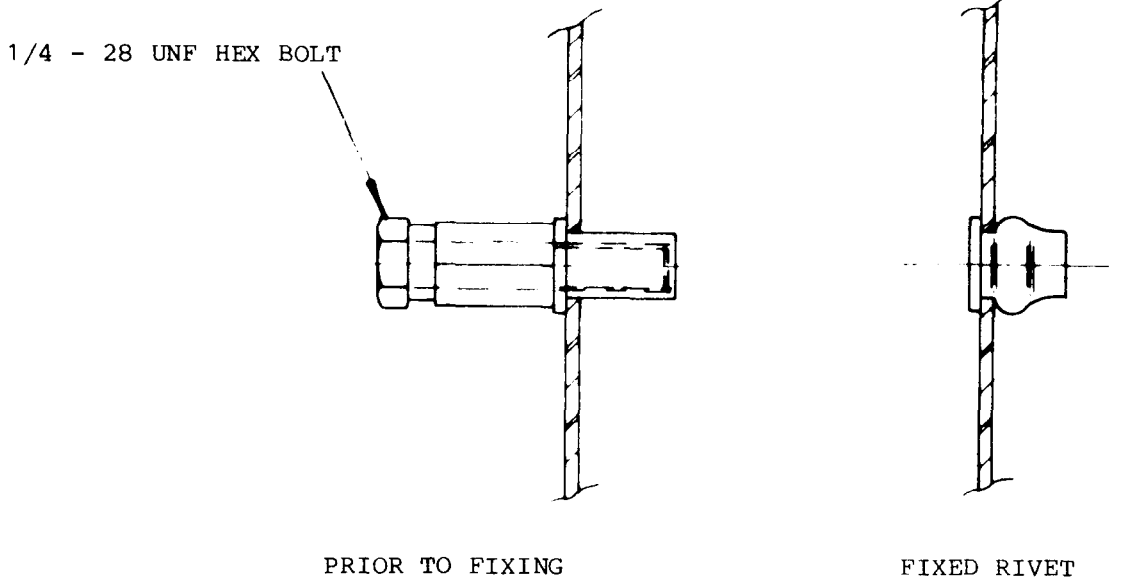


FIG 3 - USING THE TAP RIVET INSERTING TOOL

E N D