

TRUCK MEDIUM MC2 (UNIMOG) - ALL TYPES
FUEL TANK DRAIN PLUG

MODIFICATION INSTRUCTION

Issue of this instruction is authorised by the CONMEA.

Introduction

1. This instruction details modification to the fuel tank drain plug. This will enable fortnightly draining off of water from the fuel tank without having to remove the plug completely.

General

2. Estimated Manhours to Perform. 0.2 hours (initial planning only).
3. Priority. Group 2.
4. Modification to be Applied to. All subject vehicles up to and including ARN 43219.
5. Item Affected. Fuel tank drain plug.
6. Action Required. By RAEME workshops and support elements authorised to carry out unit, field and base repairs, in accordance with WKSP A 850.
7. Stores Required. Nil.
8. Stores Removed. Nil.

Detail

9. Carry out the modification as follows:
 - a. Remove the drain plug (using any suitable means to keep the loss of fuel to a minimum).
 - b. Modify the drain plug to incorporate the drain holes as shown in Fig 1.
 - c. Refit the modified drain plug.
10. Modification Record Plate. On completion of the modification deface the numeral 13.

UNCONTROLLED WHEN PRINTED

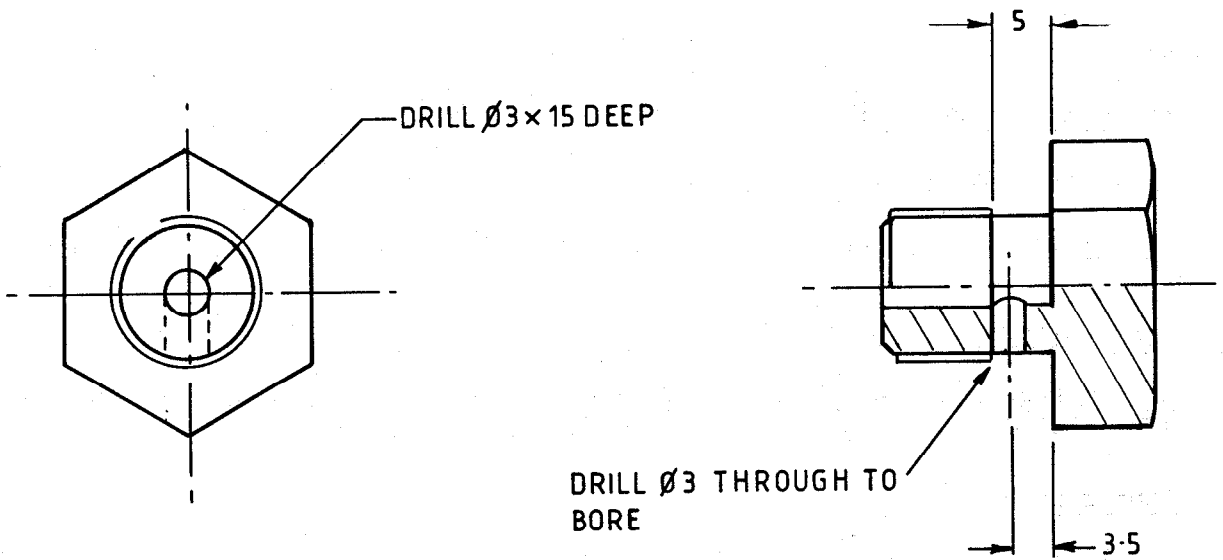


FIG 1 - MODIFICATION DETAILS

E N D