

TRUCK CARGO MEDIUM MC2 - MERCEDES BENZ
HYDRAULIC JACK STOWAGE BRACKET

MODIFICATION INSTRUCTION

Reference: A. Issue of this instruction is authorized by the MAT BR

Introduction

1. This instruction details the fitting of a reinforcing plate under the hydraulic jack stowage bracket to prevent cracking of the cabin floor around the existing mounting bolt holes.

Note:

1. NSN and Designation used in this instruction were current at the date of issue. If twelve months or more have expired since issue, the NSN should be checked for supersession.

General

2. Estimated Manhours to Perform. 1.0 (initial planning only).
3. Priority. Group 2.
 - a. All equipments as detailed in paragraph 4 are to be modified when next in workshops for repair.
4. Modification to be Applied to. All early production vehicles up to and including ARN 38157.
5. Item Affected. Vehicle hydraulic jack stowage bracket.
6. Action Required. By RAEME Workshops authorized to carry out unit, field and base repairs in accordance with WKSP A 850.

TABLE 1 - STORES REQUIRED (available from 32 Sup Bn)

Item	NSN	Designation	Qty per Equip
1.	5120-97-221-0694	PLATE REINFORCEMENT	1
2.	5305-97-221-0706	SET SCREW M8 BY 20	4
3.	5305-97-221-0707	SET SCREW M10 BY 20	1

Detail

7. To carry out the modification, refer to Fig 1 and proceed as follows:
 - a. Remove the existing mounting bolts securing the stowage bracket to the cabin floor.
 - b. Remove the one retaining bolt securing the front passenger seat leg to the cabin floor.
 - c. Remove the blanking plug from the tapped hole in the cabin floor under the passenger seat.

UNCONTROLLED WHEN PRINTED

- d. Position the reinforcing plate, item 1 from Table 1, on the cabin floor and secure using the original bolt removed in sub paragraph 7b and items 2 and 3 from Table 1.

Notes:

1. To prevent water entry, seal around all bolt holes with Adhesive Silicone Rubber, Silastic 732 RTV (NSN 8040-00-728-3088).
2. If cracking of the cabin floor has already occurred, submit vehicle for warranty repairs prior to carrying out the modification.

8. Modification Record Plate. On completion of the modification deface the numeral 3 from the modification record plate situated on the right hand side of the driver's seat base.

BRACKET ASSY - JACK MOUNTING

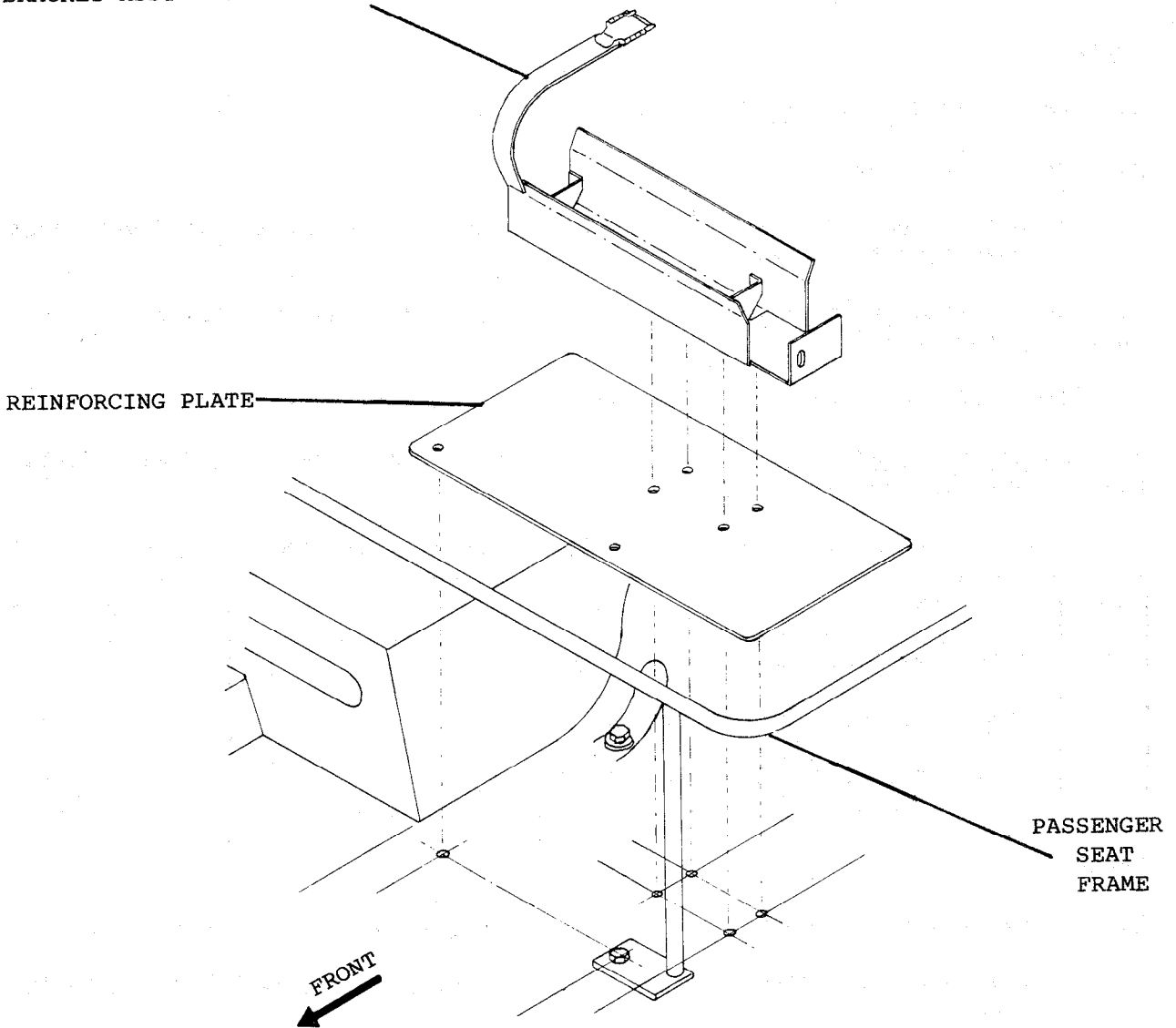


FIG 1 - HYDRAULIC JACK STOWAGE BRACKET

E N D