

TRAILER, CARGO, LIGHT, MC2, 1250 KG

SERVICING INSTRUCTION

This instruction is authorised for use by command of the Chief of Army. It provides direction, mandatory controls and procedures for the operation, maintenance and support of equipment. Personnel are to carry out any action required by this instruction in accordance with EMEI General A 001.

Introduction

1. This EMEI lists the requirements for servicing of the Trailer, Cargo, Light, MC2, 1250 kg (Haulmark). Figure 1 shows the servicing points for the Trailer and Table 1 details the servicing requirements.

Associated Publications

2. Reference may be necessary to the latest issue of the following publications:
- a. Current version of the Technical Regulation of ADF Materiel Manual – Land (TRAMM-L) (available from DTR-A website <http://intranet.defence.gov.au/armyweb/Sites/DTRA>);
 - b. EMEI Vehicle A 291-1 – Tyres and Tubes – Care and Maintenance of B Vehicles;
 - c. EMEI Vehicle A 291-5 – Tyres and Tubes – Australian Defence Force B vehicle Tyre Guide Operator Instructions;
 - d. EMEI Vehicle A 298-2 – Tyres and Tubes – General Service B Vehicles – Inspection for Useability;
 - e. EMEI Vehicle A 468-1 – Trailer, Cargo, Lightweight and Light and Land Rover 110 4X4 & 6X6 – All Types – Crack Inspection of Land Rover Wheel Rim – Inspection for Useability;
 - f. DEF AUST 206F - Petroleum Oils and Lubricants Handbook;
 - g. Vehicle A 029 Vehicles – General, Servicing of B Vehicles, Trailers, Motor Cycles, Stationary Equipment, Auxiliary and Small Engines;
 - h. EMEI Vehicle I 001 – Inspection – Inspection of A, B and C Vehicles;
 - i. Vehicle H 120 – Trailer, Cargo, Light, MC2, 1250 kg, Data Summary;
 - j. Vehicle H 123 – Trailer, Cargo, Light, MC2, 1250 kg, Light Grade Repair;
 - k. RPS 02242 – Trailer, Cargo, Light, 1250 kg;
 - l. Workshop E Series - Occupational Health and Safety Instructions; and
 - m. Equipment User/Operator and Servicing Handbooks.

WARNING

All industrial safety, work practices and equipment operating and maintenance instructions pertaining to this EMEI are to be adhered to.

Chemical substances are to be stored, used and handled in accordance with SAFETYMAN, MSDS and EMEI Workshop series requirements. Failure to do so may result in personal injury.

NOTE

During servicing procedures, bolts and nuts that require re-tensioning or adjusting and have been assembled using thread sealants are to have the thread sealant renewed. Nylon insert locknuts must be renewed after thread movement. All seals, gaskets and split pins removed during servicing are to be replaced with new items.

Servicing Intervals

3. The trailers are not fitted with hub meters and the distanced travelled is not recorded. Therefore the trailers are to be serviced at 12 monthly intervals.

4. Servicing is based on time elapsed, with all vehicles being serviced and technically inspected (Ref EMEI Vehicle A 029) at least once every 12 months. Unit commanders may reduce the periods between services or add servicing tasks to meet operational or exercise requirements. A scheduled service may be anticipated or delayed within a limit of plus or minus ten percent of the interval between services to meet operational needs and to permit workload planning.

NOTE

When any equipment exceeds the 10 per cent maximum limit of the servicing interval (Para 3), it is to be classified 'XX - DO NOT USE' until the outstanding service is completed.

Trade Requirements

5. All procedures and adjustments are to be carried out by an ECN 229 – Vehicle Mechanic or tri-service/civilian equivalent.

Standard Job

6. MILIS standard job number 0001385 has been raised to carry out and record trailer servicing.

Additional Tasks

7. No additional tasks are to be added to scheduled maintenance work orders. A separate, linked work order shall be raised to record additional maintenance tasks identified during the servicing. These additional tasks may include, but not be limited to, the replacement of wheel bearings, lights etc and outstanding modifications. The additional tasks are to be completed in conjunction with the scheduled maintenance.

Road Test

8. At the completion of each service, the trailer is to be road tested to ensure that all servicing procedures have been correctly carried out to a safe standard.

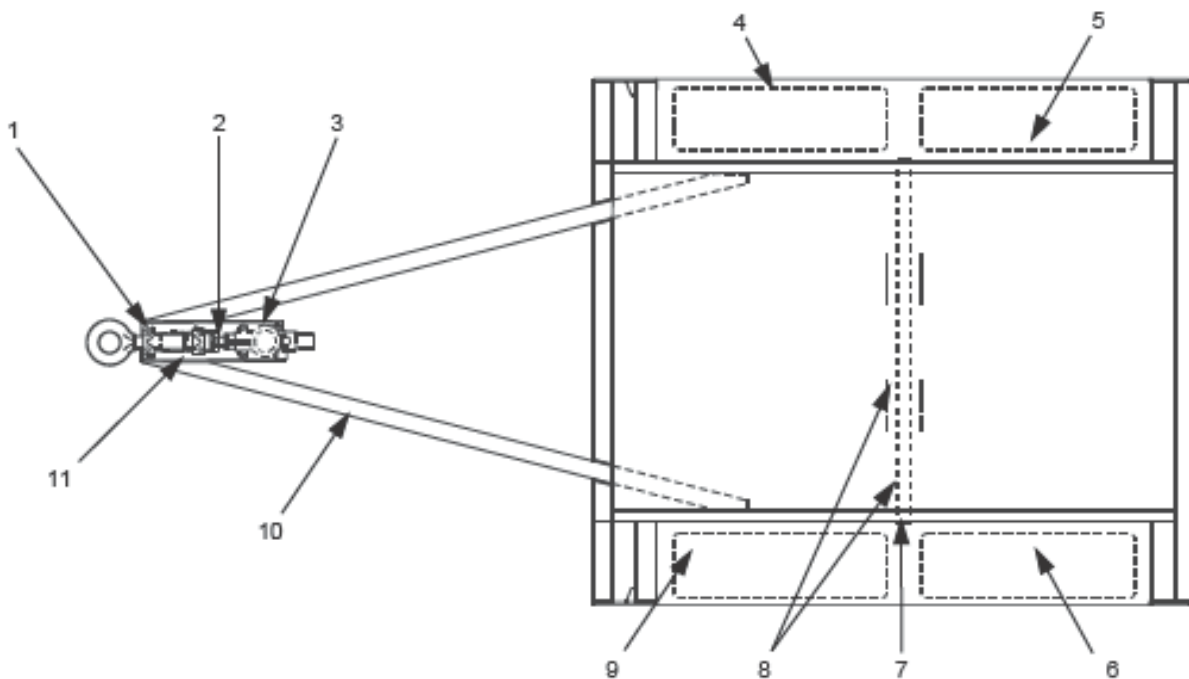


Figure 1 Servicing Points for Trailer, Cargo, Light, MC2, 1250 Kg

Table 1 Servicing Requirements for Trailer, Cargo, Light, MC2, 1250 kg

Item	Item or Assembly	Notes	12 Monthly	Lubricant	No of Points
1	Tow lunette shaft assembly	2	IL	XG-291	2
2	Tow lunette shaft to master cylinder gap	1	I	-	1
3	Brake master cylinder	2, 5	IEB	OX 8	1
4	Wheel bearings	2	I	XG-291	4
5a	Brakes	2, 3	I	-	4
5b	Brake caliper housing guide pins	-	INL	Silicone Grease	8
6	Park brakes	2, 3	I	-	4
7	Spring centre bolt	2, 6	I	-	2
8	Suspension springs, hangers and U-bolts	4	IL	XG-291	
9	Wheel alignment	2	I	-	-
10	Jockey wheel	2	IL	XG-291	1
11	Master cylinder/tow coupling height adjusting bolts	2	I	XG-291	-
12	Park brake lever and linkages	-	L	OMD 115	3
13	Trailer lighting and electrical connection (loom)	-	I	-	-
14	Wheel rims	7	I	-	5
15	Tyres	8	I	-	5
16	Technical Inspection	-	I	-	-
17	Documentation	-	I	-	-

Legend: B - Bleed, E - Evacuate/Drain and Refill, I - Inspect and or Correct, L - Lubricate, N - Clean

Notes- All serial numbers refer to Figure 1.

1. Ensure gap between tow ring shaft and master cylinder is 0 - 1 mm maximum.
2. For maintenance and adjustment procedures, refer to EMEI Vehicle H 123 - Light Grade Repair.
3. Brake shoes and pads are to be replaced when inspection identifies that they have exceeded wear limits.
4. Torque suspension main pivot bolts to 203 N.m (150 lbf.ft).
5. Tighten the brake master cylinder mounting bolts to 105 N.m.
6. Torque spring centre bolt 100 N.m.
7. If Land Rover wheel rims (AYG8108) are fitted, check the GM-120 to ascertain if the rims require the biannual inspection in accordance with EMEI Vehicle A 468-1.
8. Inspect in accordance with EMEI Veh A 289-1, Veh A 291-5 and Veh A 298-2.

END

Distribution List: **VEH H 03.1 – Code 2** (Maint Level)
(Sponsor: CGSVSPO, Light B Vehicle Section)
(Authority: EC-006508)