

TRAILER, LIGHTWEIGHT, CARGO, 750 KG (HAULMARK), MC2

DATA SUMMARY

This instruction is authorised for use by command of the Chief of Army. It provides direction, mandatory controls and procedures for the operation, maintenance and support of equipment. Personnel are to carry out any action required by this instruction in accordance with EMEI General A 001.

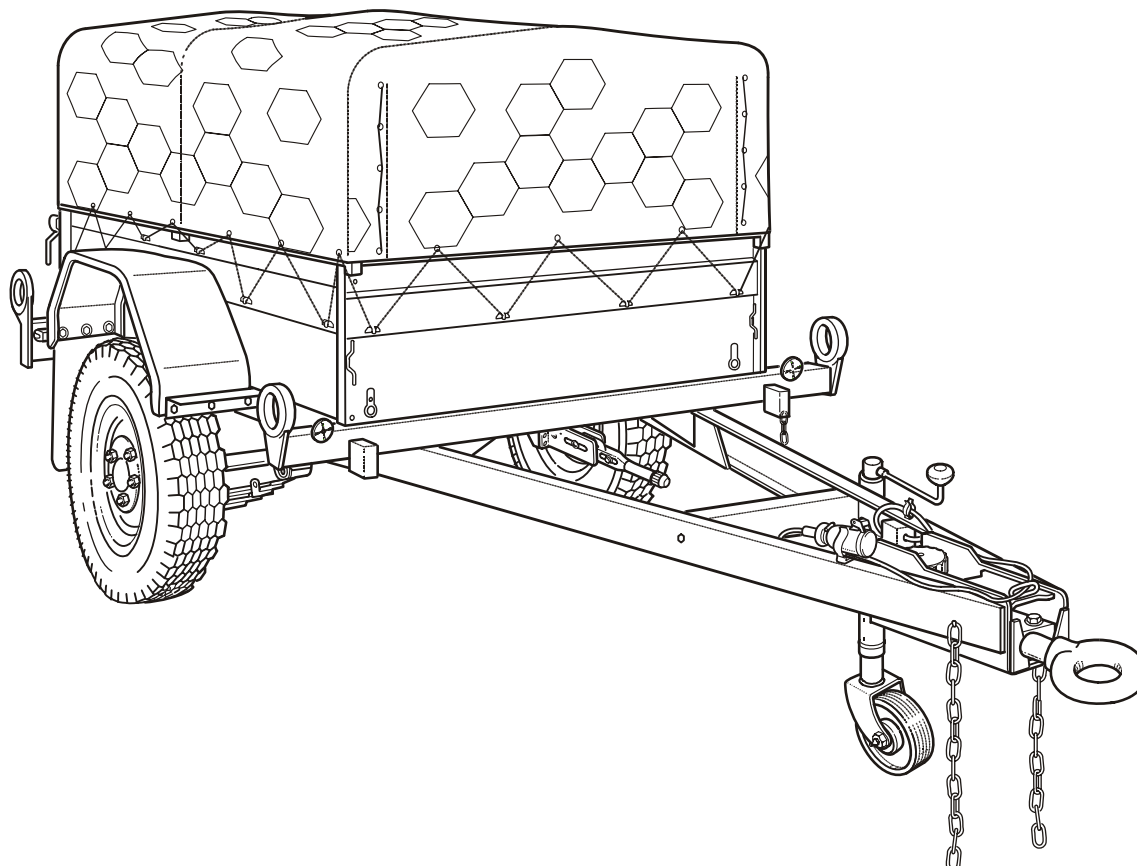


Figure 1 Trailer, Lightweight, Cargo, 750 kg (Haulmark), MC2

General

1. This EMEI lists the basic data for the Trailer, Lightweight, Cargo, 750 kg (Haulmark), MC2 as shown in Figure 1.
2. **Role.** The primary role of this trailer is for the transportation of general stores up to a payload of 750 kg. It is designed to be towed by the Truck, Light and Lightweight, MC2 (Land Rover) fleet of vehicles.
3. **Description.** The Trailer, Lightweight, Cargo, 750 kg (Haulmark), MC2, is a single axle, prefabricated, galvanised steel framed trailer with an aluminium sheet floor, suitable for both highway and cross country applications. The trailer is fitted with a drop-down removable tailgate to facilitate the loading of cargo and lashing points are provided for the securing of loads.

Detail

4. Dimensions:

a. Overall Height:

- | | |
|--------------------------|----------|
| (1) With Canopy | 1 720 mm |
| (2) Without Canopy | 1 270 mm |

- b. Overall Length.....4 110 mm
- c. Overall Width:
 - (1) Marker Lights Retracted..... 1 800 mm
 - (2) Marker Lights Extended.....2 130 mm
- d. Track..... 1 500 mm
- e. Cargo Tray:
 - (1) Length (Inside Gates)2 114 mm
 - (2) Width..... 1 130 mm
 - (3) Height.....453 mm
 - (4) Floor (Aluminium Sheet – Thickness) 2.5 mm
- f. Cargo Tie-down (Qty 12):
 - (1) Location.....six each side at outer extremities of the tray
 - (2) Safe Load (Each Tie-down Ring)..... 1 000 kg
- 5. **Payload** (Highway and Off Road Maximum)..... 750 kg
- 6. **Mass:**
 - a. Unladen 450 kg
 - b. Laden 1 200 kg
- 7. **Electrical System:**
 - a. Type.....12/24 V DC
 - b. Connector12-pin NATO
 - c. Lighting:
 - (1) Stop/Tail Lights..... rear of trailer, 2 off, Hella DuraLed 2330, replaceable module
 - (2) Indicator Lights rear of trailer, 2 off, Hella DuraLed 2151, replaceable module
 - (3) Number Plate Lights..... rear of trailer, 2 off, Hella DuraLed 2559, replaceable module
 - (4) Marker Lights each side of trailer, 2 off, Hella DuraLed 2053, replaceable module
 - (5) Blackout Lights:
 - (a) Stop/Marker rear of trailer, 2 off, replaceable module
 - (b) Convoy Light forward of the rear crossmember, 1 off, Hella DuraLed 2559, replaceable module
- 8. **Axle Assembly:**
 - a. Manufacturer Engineered Transport Equipment
 - b. Type..... tubular steel beam
- 9. **Suspension:**
 - a. Manufacturer Engineered Transport Equipment
 - b. Type..... leaf spring

UNCONTROLLED IF PRINTED

10. Wheels:

- a. Manufacturer ROH Steel Wheel Co
- b. Type 6.00F × 16 steel wheel
- c. Size 405.59 ±0.4 mm by 152.4 ±1.5 mm
- d. Stud Spacing five holes – equally spaced on 165.1 ±0.13 mm pitch circle diameter
- e. Maximum Wheel Load Carrying Capacity 1 000 kg

11. Tyres (Size and Pressure).....refer EMEI Vehicle A 291-5

12. Jockey Wheel:

- a. Type height adjustable, 300 mm travel, 360 degree swivel leg
- b. Model JW4A
- c. Load Capacity 500 kg

13. Brakes:

a. Main:

- (1) Manufacturer Cebco
- (2) Type hydraulic/mechanical, calliper, disc brakes with hydraulic over-ride coupling fitted with electrical lockout

b. Master Cylinder:

- (1) Manufacturer Cebco
- (2) Type C500

c. Calliper:

- (1) Manufacturer Cebco
- (2) Type DB1980/DB1981

d. Disc:

- (1) Manufacturer Cebco
- (2) Type DR58/2

e. Park Brakes:

- (1) Manufacturer Cebco
- (2) Type DB1974/DB1975, drum type, single, internal expanding shoe

14. Tow Ring:

- a. Manufacturer Cebco
- b. Type C500-3
- c. Eye Size (Diameter) 76.2 mm
- d. Minimum Eye Thickness 41.3 ±0.8 mm
- e. Maximum Vertical Load 300 kg
- f. Height (Unladen)..... 598 mm
- g. Height (Laden) 520 mm ±10 mm

15. Fluids and Lubricants:

- a. Chassis/Frame XG 291
- b. Wheel Bearings XG 291

- c. Brake Master Cylinder OX-8
- 16. **Performance:**
 - a. Departure Angle:
 - (1) Unladen 35°
 - (2) Laden 31°
 - b. Ground Clearance:
 - (1) Unladen 250 mm
 - (2) Laden 243 mm
 - (3) Limiting Feature spring U-bolts
 - c. Overturn Angle:
 - (1) Unladen right 55.2°/left 53.5°
 - (2) Laden right 43.2°/left 40.6°
- 17. **Bridge Classification:**
 - a. Truck, Lightweight, MC2 and Trailer Combination (Laden) 6
 - b. Truck, Light, MC2 and Trailer Combination (Laden) 8
- 18. **Fording Depth:**
 - a. Unprepared Vehicle 500 mm
 - b. Prepared Vehicle no facility available. As for unprepared vehicle. Operators shall ensure the brake master cylinder is not submerged while fording water obstacles.
- 19. **Shipping Data:**
 - a. Shipping Volume 12.725 m³
 - b. Transportability by rail, road, sea and air, capable of being deployed as an air slung load under CH-47 Chinook, S70 Blackhawk and airlifted by C-130 Hercules.
 - c. Centre of Gravity Position (Unladen):
 - (1) Forward of Axle Centre Line 320 mm
 - (2) Rear of Towing Eye Centre Line 2 735 mm
 - d. Lifting and Tie-down Points (Outside Each Corner of Cargo Tub) four
- 20. **Manufacturer's Details:**
 - a. Queensland (Head Office):
Haulmark Trailers (Australia)
1848 Ipswich Road
ROCKLEA QLD 4106

Tel: (07) 3277 3666
Fax: (07) 3277 0296
 - b. New South Wales:
Haulmark Trailers (Australia)
36 Riverside Road
CHIPPING NORTON NSW 2170

Tel: (02) 9755 3877
Fax: (02) 9755 2320

UNCONTROLLED IF PRINTED

21. Point of Contact:

NFM, Lt B Vehicles
DMO
DPM-7
661 Bourke St
MELBOURNE VIC 3000

22. Associated Information:

- a. SIGC 2330-0010
- b. NSN..... 2330-66-152-0994
- c. User Handbook NSN..... 7610-66-152-1370
- d. RPS 02254
- e. SCES 012314
- f. Other EMEI:
 - (1) [EMEI Vehicle A 291-5](#) Australian Defence Force B Vehicle Tyre Guide
 - (2) [EMEI Vehicle H 092](#)..... Technical Description
 - (3) [EMEI Vehicle H 093](#)..... Light Grade Repair
 - (4) [EMEI Vehicle H 099](#)..... Servicing Instruction
- g. Warranty..... 12 months

UNCONTROLLED IF PRINTED

END

Distribution List: **VEH H 02.7 – Code 1** (Maint Level)
(Sponsor: CGSVSPO, Lt B Vehicles)
(Authority ECO LVSP0 078/08)